

OWNER'S MANUAL

CROOZER DOG

IMPRINT

Published by: Croozer GmbH
Oskar-Jäger-Str. 125
D-50825 Cologne
Germany

Copyright © 2020 Croozer GmbH. All rights reserved.
No part of this manual may be reproduced or transmitted in any form for any purpose other than the purchaser's personal use.

Additional manuals and instructions on the use of this product can be ordered from Croozer GmbH or downloaded from the website www.croozer.com.
Every effort has been made to ensure the accuracy of this manual. However, if you do find an error, we would appreciate hearing about it so that we can correct it.

Planning, text, graphic design and editing:
W. Piontek, www.technik-transparent.de

Photos: W. Piontek and Croozer GmbH

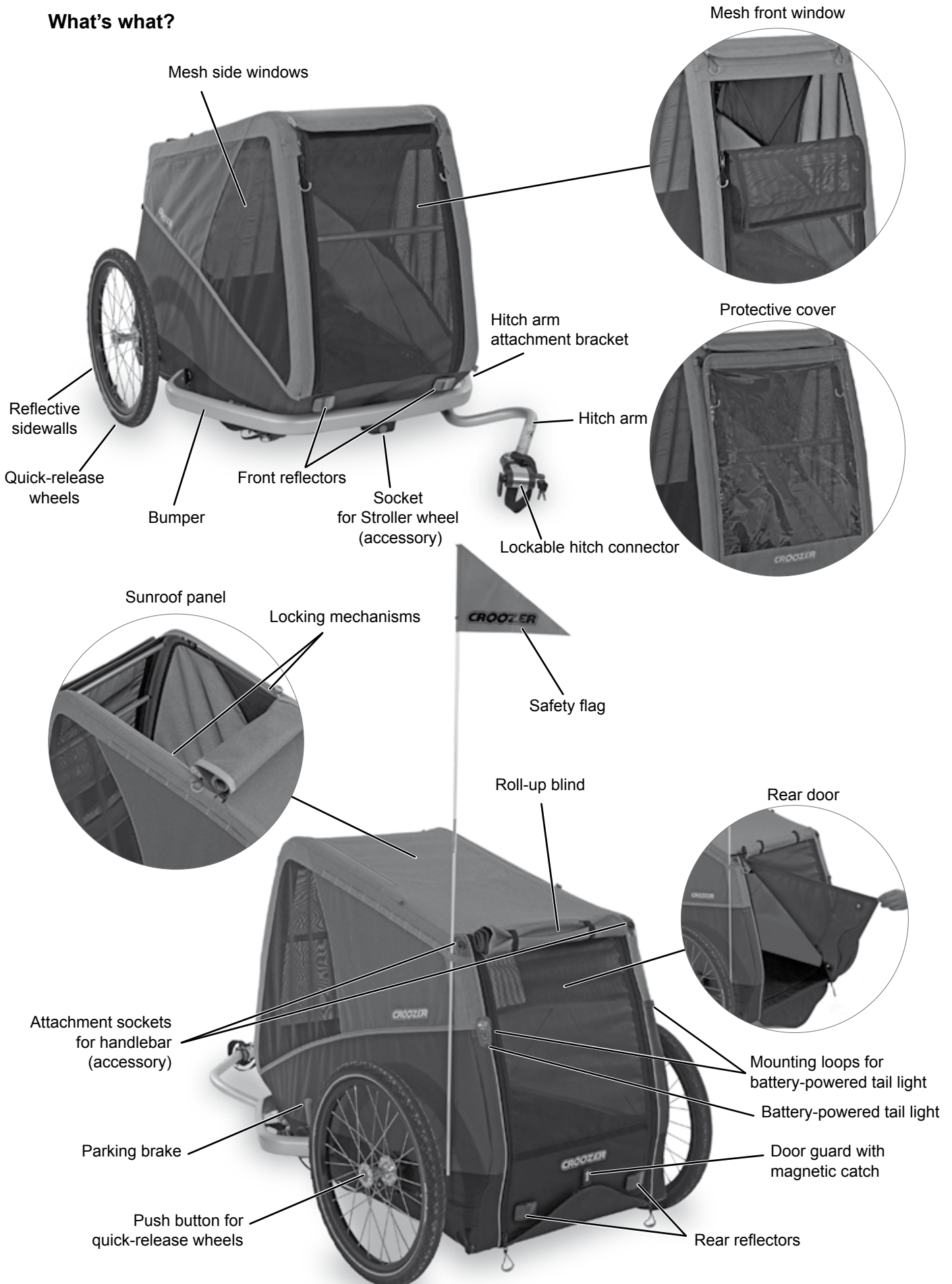
Table of Contents

Description	2	Cleaning, Maintaining and Storing the Croozer Dog.	32
What's what?	2	How do I clean and maintain my Croozer Dog?	32
2-in-1 System	3	How do I store my Croozer Dog?	32
What is the Croozer Dog?	4	Preparing the Croozer Dog for disposal	33
How should the Croozer Dog be used?	4	Technical Data	34
How shouldn't the Croozer Dog be used?	4	Tested for Safety	34
Orientation and wording	4	EU Declaration of Conformity	35
Applicable standards	4	Warranty.	35
Safety Guidelines	5	Dealers.	36
Symbols and warnings	5	Accessories	37
Read and observe this manual.	5		
Who can ride the towing bicycle?	5		
Requirements for the towing bicycle	5		
Legal requirements for using a bicycle trailer	5		
Before your first ride	5		
Pulling the Croozer Dog as a Bicycle Trailer	5		
Using the Croozer Dog as a Stroller (accessory)	6		
Use, storage and transport.	6		
Assembly, maintenance and repair	6		
Initial Assembly and Unfolding the Croozer Dog	7		
Checking package contents	7		
Unfolding the Croozer Dog	8		
Mounting the bumper.	11		
Checking and adjusting the parking brakes	12		
Attaching and removing the wheels	13		
Converting the Croozer Dog to a Bicycle Trailer.	14		
Installing and removing the hitch arm	14		
Installing the axle hitch to the towing bicycle.	15		
Installing the safety flag	18		
Using your Croozer Dog	19		
Helping your pet acclimate to the Croozer Dog	19		
Engaging and disengaging the parking brake	20		
Loading and unloading your dog	21		
Opening and closing the front window and sunroof	22		
Using the protective cover	22		
Transporting your pet in the Croozer Dog	23		
Hitching the Croozer to the towing bicycle	24		
Unhitching the Croozer from the towing bicycle	25		
Special considerations when riding with the Bicycle Trailer	26		
Transporting your Croozer Dog	28		
Croozer Dog Inspections and Maintenance.	29		
Inspection intervals	29		
Service intervals	29		
Inspecting the hitch arm, hitch connector and hitch	30		
Inspect the fabric body	30		
Inspecting and servicing the side wheels	30		
Checking tyre pressure and treads.	30		
Servicing the lock cylinder on the hitch connector	30		
Cleaning and lubricating the wheel axles	31		
Inspecting the Croozer after an accident.	31		

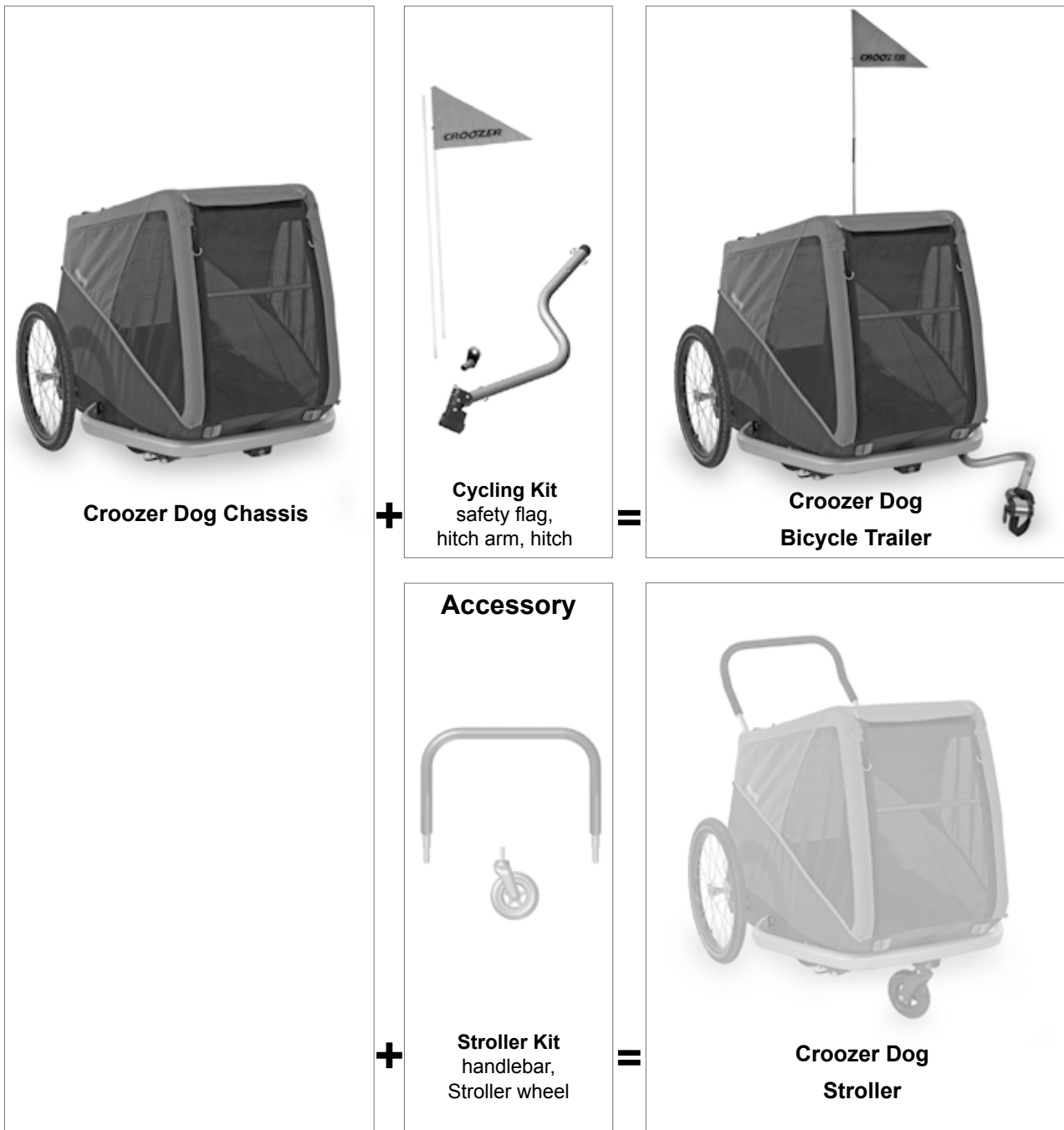
Description

Description

What's what?







2-in-1 System



Fastening Systems

Click & Crooz® fastening system
Simply insert, automatic locking, press button for removal

<p>for hitch</p> 	<p>for Stroller wheel (accessory)</p> 
--	---

<p>Ball lock pin</p> <p>for handlebar (accessory)</p> 	<p>Ball lock pin (magnetic)</p> <p>on hitch arm attachment bracket</p> 
---	---

Description

What is the Croozer Dog?

The Croozer Dog is a vehicle for transporting dogs and other small animals. It can also be quickly and easily converted to a dog stroller using the Stroller Kit (accessory).

How should the Croozer Dog be used?

The Croozer Dog is intended for private use for transporting dogs or other small animals in daylight hours on roads and other smooth, well-surfaced paths as a Bicycle Trailer or Stroller (accessory). The instructions and safety guidelines provided in this manual must be followed at all times.

	Dog Peppa	Dog Jokke	Dog Bruuno
Maximum Weight of Loaded Trailer (Trailer + Dog)	50 kg (110 lb)	60 kg (132 lb)	60 kg (132 lb)
Max. Weight of Dog*	35 kg (77 lb)	45 kg (100 lb)	45 kg (100 lb)
Maximum Height of Dog (Floor to top of head while standing)	62 cm (24 inch)	77 cm (30 inch)	87 cm (34 inch)
Maximum Length of Dog	85 cm (33 inch)	100 cm (40 inch)	115 cm (60 inch)
Hitch-arm Load (Nose Weight)	3 to 11 kg (6.6 – 24.3 lb)		
* Weight limits only apply if the hitch-arm load is within the specified range of 3 to 11 kg (6.6 – 24.3 lb). See page 23.			

When in use as a Bicycle Trailer in poor visibility conditions or at night, dusk or dawn, the Croozer Dog must be equipped with a lighting system that complies with the applicable laws and regulations in the country of use. The Croozer Dog comes with a battery-powered light that must be mounted to the light-attachment loop on the rear cover. Any spare parts and accessories used for the Croozer Dog must be approved by Croozer GmbH and properly installed, ideally by a professional bicycle mechanic.

How shouldn't the Croozer Dog be used?

The Croozer Dog may not be used in any manner other than as specified above. Never transport children in the Croozer Dog. Never use the Croozer Dog as a cargo trailer. Never use the Stroller (accessory) for jogging or skating. Commercial use, overloading, excessive speeds (of more than 25 km/h, or 15 mph, when in use as Dog Trailer or more than walking speed when used as Stroller), improper repairs and use on unsurfaced roads or paths are not permitted.

Never pull the Croozer Dog with a motorised vehicle, such as a moped or scooter. This also applies to motorised bicycles with a maximum speed of more than 25 km/h (15 mph). Do not mount the hitch to a bicycle with a rear-wheel hub motor, unless this modification is approved by the manufacturer. Croozer GmbH will not be liable for any damages resulting from non-compliance with these requirements.

Orientation and wording

Unless otherwise indicated, the terms “right” and “left” in this manual are used to describe the trailer as viewed from behind (i.e. when facing in the direction of travel). In general, the manual uses the product name “Croozer Dog”. For the sake of clarity, the Dog Jokke is shown in most of the photos and graphics used in this manual. Unless otherwise indicated, the descriptions apply to the Dog Bruuno and Dog Peppa.

Applicable standards

The following standards were taken into consideration: EN 15918:2011 + A2:2017

Safety Guidelines

Symbols and warnings



DANGER!

DANGER indicates a hazardous situation which, if not avoided, will result in death or serious injury.



WARNING!

WARNING indicates a hazardous situation which, if not avoided, could result in death or serious injury.



CAUTION!

CAUTION indicates a hazardous situation which, if not avoided, could result in minor or moderate injury.

NOTICE

NOTICE indicates a situation which, if not avoided, could result in damage to the Croozer Dog or the environment.

Tip: In this manual, "Tip" indicates helpful advice about the use or maintenance of the Croozer Dog.

Read and observe this manual

This manual contains information that is extremely important for the safety of you, your dog and other road users. Therefore, it is essential that you read the entire manual carefully and follow the instructions closely. If you should experience difficulties understanding any of the information or instructions, please contact your Croozer dealer. Keep this manual handy at all times for future reference. If you loan or sell your Croozer Dog, pass on this manual to the new user. It is also vitally important that you read and observe the instructions provided in the manual of the towing bicycle.

Who can ride the towing bicycle?

Be sure to acquaint yourself with the applicable laws in the state or country where you plan to use the Croozer Dog.

Requirements for the towing bicycle

The towing bicycle must be approved by its manufacturer for pulling a trailer. This information can be found in the owner's manual of the bicycle. Furthermore, the towing bicycle must be in perfect working order and have strong, properly functioning brakes. Keep in mind that braking distance is increased when pulling a bicycle trailer. The rear wheel of the towing bicycle must be equipped with an effective mudguard with mud flap. Otherwise, your dog could be injured by stones and other debris thrown up from the road. Motorised vehicles may not be used for pulling bicycle trailers. The only exception to this rule is a pedelec. This special type of e-bicycle has an electric motor that delivers assist only when the rider pedals. In many countries, pedelecs legally qualify as bicycles. However, e-bikes with a maximum speed of more than 25 km/h (15 mph) may not be used for pulling the trailer. The towing bicycle should be equipped with a sturdy rear-mount kickstand to ensure safety when loading and unloading your dog.

Be sure to familiarise yourself with the legal requirements that apply to towing bicycles in the country or state where you will be using the Croozer Dog.

The towing bicycle must have a 26" to 29" (559 to 635 mm) rear wheel. This information can be found on the tyre sidewalls. The numbers 42-622, for example, indicate that the tyre has a width of 42 mm and a bead-seat diameter of 622 mm (28 inches).

Legal requirements for using a bicycle trailer

Be sure to familiarise yourself with the legal requirements that apply to pulling a bicycle trailer in the country or state where you will be using the Croozer Dog.

Before your first ride ...

It is important that you familiarise yourself with the Croozer Dog before you use it for transporting your dog. You will also need to help your dog get used to the Croozer Dog (see page 19). Prior to your first trip, Croozer GmbH recommends taking a practice ride without your dog in a calm, traffic-free area; load the trailer with cargo of approximately the same weight as your dog, for example, by strapping a loaded rucksack into the cabin. This is a great way to acquaint yourself with the handling of the bicycle and the dimensions of the trailer.

Pinching hazard

When folding and unfolding the Croozer Dog, keep fingers and hands clear of all possible pinch points (e.g. movable frame parts and locking mechanisms).

Pulling the Croozer Dog as a Bicycle Trailer

Before each ride, check the following:

- Are the wheels securely attached?
- Are the two locking mechanisms properly engaged (pins locked into the holes)?
- Is the hitch arm properly attached and secured? Is the trailer properly hitched to the towing bicycle and secured with the safety strap? Are all Click & Crooz® fastening systems and security pins correctly inserted and secured? Make sure there are no security pins hanging freely from their straps.
- Are the tyres inflated to the correct pressure? The actual tyre pressure should never be higher or lower than the maximum and minimum inflation pressures marked on the tyre sidewall. (See also page 30.) Never use compressed air, e.g. from a petrol station, to inflate your tyres. The rapid airflow and high pressure can over-inflate the tyres, causing the tube and/or tyre to burst.

Turning

Always reduce your speed to a walking pace when making turns with the Bicycle Trailer. Keep in mind that riding speed is often underestimated, especially on bikes with electric assist (i.e. pedelecs). When turning at high speeds, the increased centrifugal force could cause the Bicycle Trailer to skid or tip over, which can result in accidents with serious injury or death.

Safety Guidelines

Riding downhill

Always reduce your speed when riding downhill. Riding at excessive speeds could cause the Trailer to skid, which can result in accidents with serious injury or death.

Riding over kerbs or uneven surfaces

Riding over a kerb or other obstacle with only one wheel of the Trailer could cause the Croozer to tip over, which can result in accidents with serious injury or death. Empty trailers are especially susceptible to tipping. Therefore, if you have to ride over a kerb or similar obstacle, always use extreme caution and ride at very low speeds. Never use the Trailer on stairs or escalators.

Being visible to others

Never use your Croozer Dog as a Bicycle Trailer in road traffic without the safety flag mounted. The safety flag makes it easier for other road users to see you.

If you plan to use the Croozer as a Bicycle Trailer at night, dusk or dawn – or when visibility is in any way reduced – the trailer must be equipped with a fully functional lighting system. The Croozer Dog comes with a battery-powered light that must be mounted to the light-attachment loop on the rear cover. Be sure to familiarise yourself with the legal requirements of the country or region where you plan to use the Croozer.

Using the parking brake

When loading or unloading children, or when passengers are getting into or out of the trailer, the parking brake of the Croozer must be engaged to prevent unintentional rolling.

Carrying cargo

Never transport cargo items together with a dog or other animal in the Bicycle Trailer. Never attach cargo, such as bags or panniers, to the outside of the Bicycle Trailer. Cargo attached outside of the Bicycle Trailer could drastically affect the handling and stability of the Croozer Dog, which can result in accidents with serious injury or death.

Using the Croozer Dog as a Stroller (accessory)

The Croozer Dog with the Stroller Kit (accessory) is not approved for jogging or skating. Pushing the Stroller faster than a walking pace is not permitted.

Use, storage and transport

Never transport the Croozer Dog – even when folded – on the roof of a motor vehicle.

Never use or store the Croozer Dog at temperatures below -20°C (-4°F).

Assembly, maintenance and repair

Purchased condition and initial assembly

If you have purchased the Croozer Dog from a shop, the dealer should have installed the axle hitch to the towing bicycle. If you ordered your Croozer from an online or mail-order catalogue, we recommend having the initial assembly performed by a professional bicycle mechanic. Furthermore, dealers are required to provide the customer with all important information on the use of the Croozer Dog.

Technical condition

Never use the Croozer Dog if it is not in perfect working order. The Croozer Dog must be periodically inspected for damage and/or wear to the wheels, hitch arm, frame, fabric body, security pins and axle hitch. If any of these parts

are found to be damaged, the Croozer may not be used until the damage has been properly repaired, ideally by a professional bicycle mechanic.

It is critical that all maintenance work specified in the section “Croozer Dog Inspections and Maintenance” (page 29) be performed in the specified intervals.

Using the Croozer Dog when it is not in perfect working order can result in accidents with serious injury or death.

Proper installation and repair

The Croozer Dog must be properly assembled. Follow the instructions for the correct installation of the axle hitch, hitch arm and Stroller Kit (accessory). When in doubt, contact your Croozer dealer. All repairs must be carried out to professional standards using only original Croozer parts, ideally by a professional bicycle mechanic. Incorrect installation or repair work could result in accidents with serious injury or death.

Suitable accessories and original spare parts

Only use accessories and original spare parts that have been recommended and approved by Croozer GmbH. These are the only components that can be used safely with the Croozer Dog. When in doubt, consult a Croozer dealer. The use of non-approved accessories or incompatible spare parts could result in accidents with serious injury or death. Croozer GmbH will not be liable for any damage resulting from the use of non-approved accessories or incompatible spare parts.

Changes and modifications

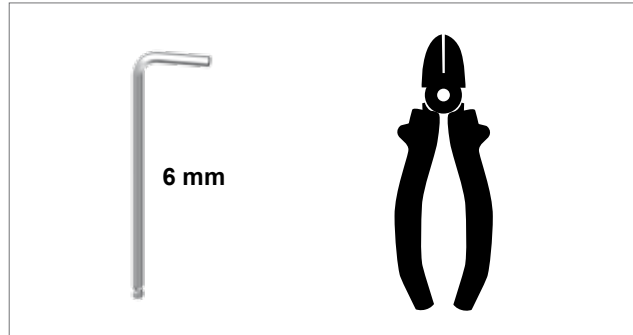
For safety reasons, no modifications or changes can be made to the Croozer Dog.

Do not install additional components, such as luggage racks etc. Making modifications or changes to your Croozer Dog can result in accidents with serious injury or death. Furthermore, changes or modifications to the vehicle will void any warranty claims. Croozer GmbH will not be liable for damages of any kind resulting from changes or modifications that have been made to the Croozer Dog.

Initial Assembly and Unfolding the Croozer Dog

If you have purchased the Croozer Dog from a shop, the dealer should have installed the axle hitch to the towing bicycle and sold the vehicle "ready to use". If you ordered your Croozer from an online or mail-order catalogue, we recommend having the initial assembly performed by a professional bicycle mechanic. Furthermore, dealers are required to provide the customer with all important information on the use of the Croozer Dog. If the initial assembly has been performed, you can skip the first few steps of this section.

If your Croozer Dog was not assembled prior to sale, then have the initial assembly performed by a professional bicycle mechanic or follow the assembly instructions below. A 6mm Allen key is required for mounting the bumper. A pair of diagonal cutting pliers will be needed for cutting the cable ties that are used to brace the frame of the new Croozer.



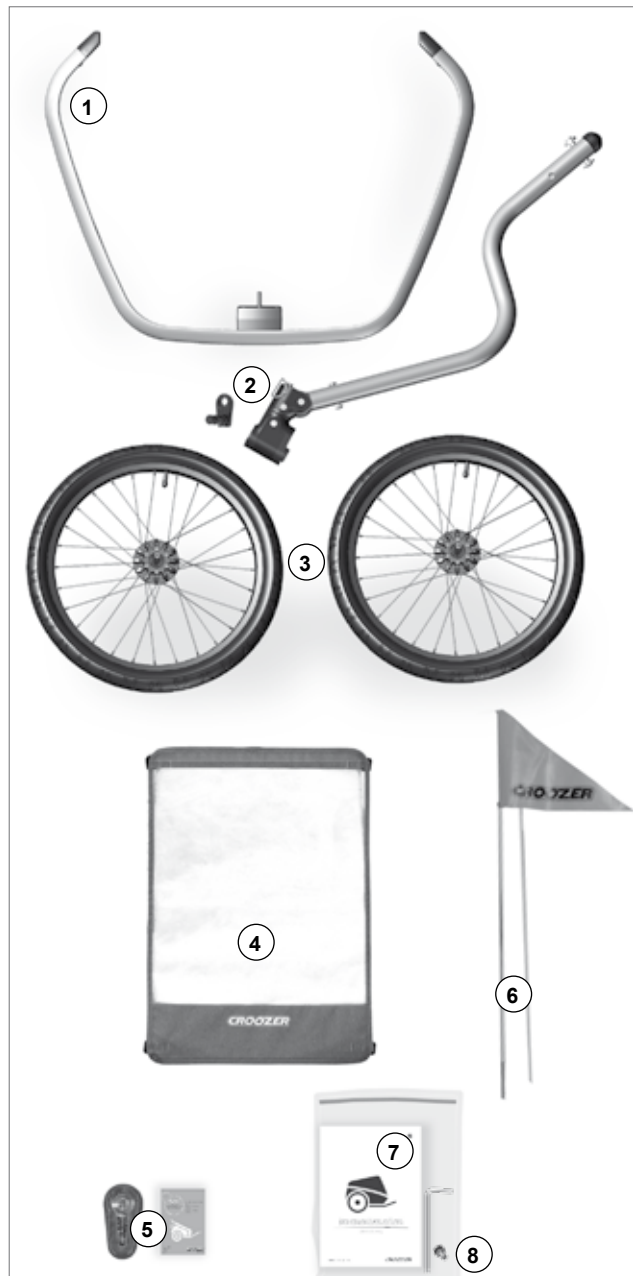
WARNING!

The Croozer Dog must be properly assembled. Improper assembly can result in accidents with serious injury or death.

Checking package contents

The Croozer Dog is packaged in a box for shipment. In order to minimise package size, the Croozer Dog is shipped in its folded state. All of the removable parts are packed inside the Croozer.

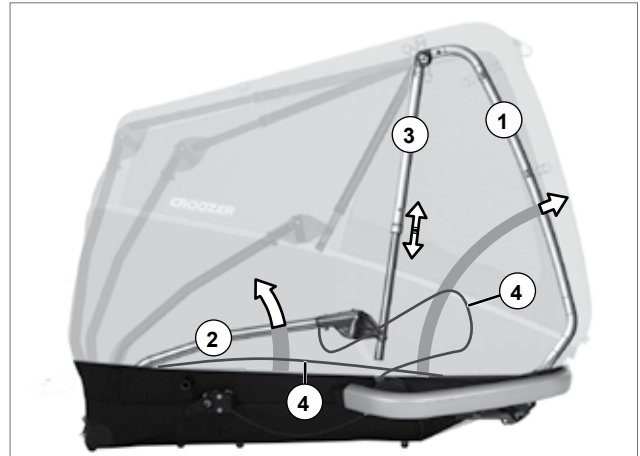
1. Take the folded Croozer Dog out of the box and remove all packaging materials from the Croozer and individual parts. Recycle all packaging materials if possible. It may be wise to keep the box, e.g. for storage or later transport.
2. Using a pair of diagonal cutting pliers or other cutting tool, cut the cable ties with which the frame of the Croozer Dog is secured and other parts are prevented from shifting.
3. Unfold the Croozer (see page 8), and remove all individual parts from inside the cabin. These parts include the following:
 - the bumper (1)
 - the hitch arm with axle hitch (2) and three keys
 - the side wheels (3)
 - the protective cover (4)
 - a battery-powered tail light with operating instructions (5)
 - a safety flag (6)
 - a package with this manual (7), a knurled nut for mounting the bumper and a 6mm Allen key (8)



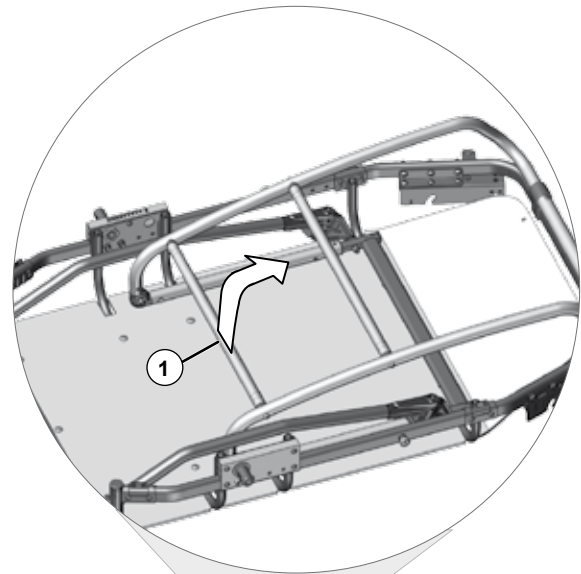
Initial Assembly and Unfolding the Croozer Dog

Unfolding the Croozer Dog

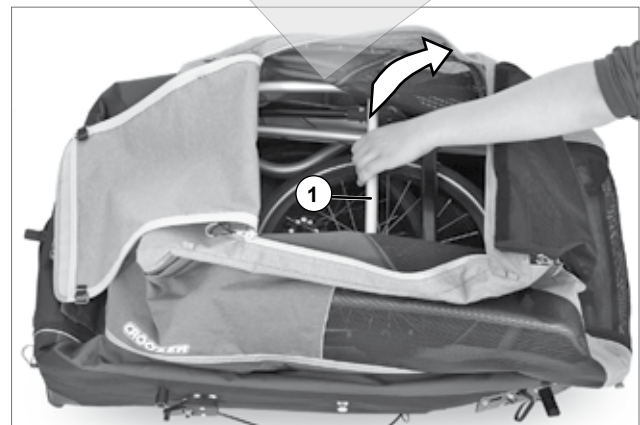
The folding mechanism of the Croozer Dog consists of three basic parts: the front section of the frame (1), the rear section of the frame (2) and the telescopic rods (3) that connect them. Four tensioning cables (4) provide additional stability. When unfolding the Croozer Dog, the front section of the frame (1) is lifted first, followed by the rear section of the frame (2). The two telescopic rods (3) are extended and locked in place by lifting the two sections of the frame and pulling them apart.



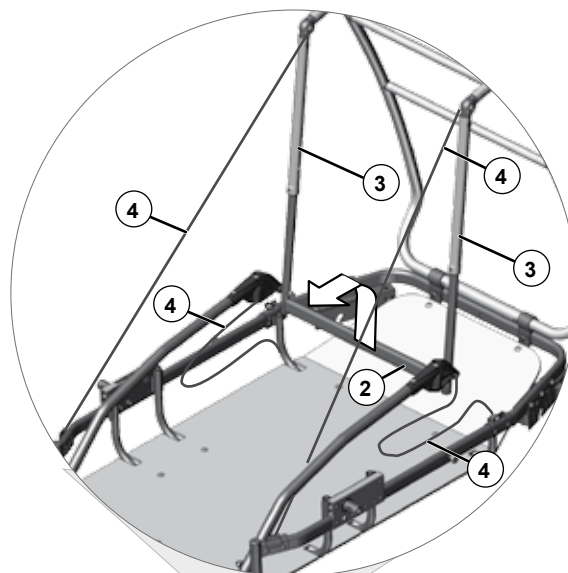
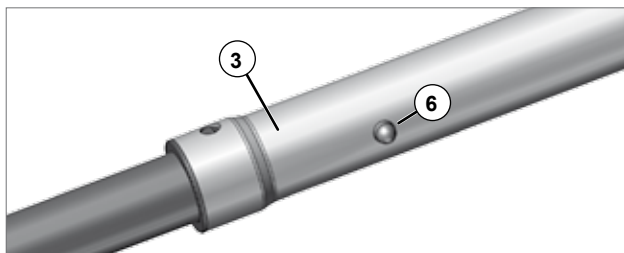
1. Place the folded Croozer on a clean and stable surface.
2. Open the two zippers (5) of the sunroof panel in order to gain access to the folding mechanism.



3. Lift the front section of the frame (1) upwards until it is in a vertical position. While doing so, make sure that the front section of the frame remains covered by the fabric body.



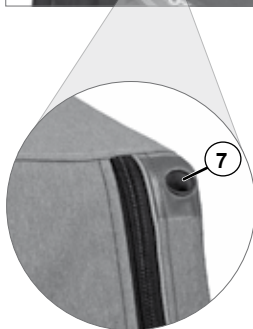
Tip: If you are having difficulty unfolding the Croozer Dog Bruuno, the locking mechanism of the telescopic rods (3) may be engaged. Do not use force. In this case, simply squeeze the pins (6) to disengage the mechanism, and pull the telescopic rods slightly further apart.



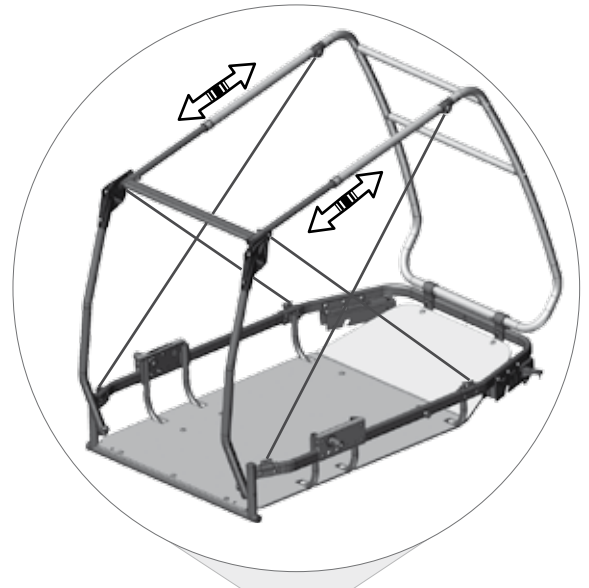
4. Lift the rear section of the frame (2) upwards until it is in a vertical position. In the process, make sure that the tensioning cables (4) do not get entangled or caught on other parts. If this occurs, push the rear section of the frame (2) back down; then try lifting it again while pushing the tensioning cables (4) outwards.

Tip: It may be helpful to open the rear door and grab the rear section of the frame (2) through the door opening.

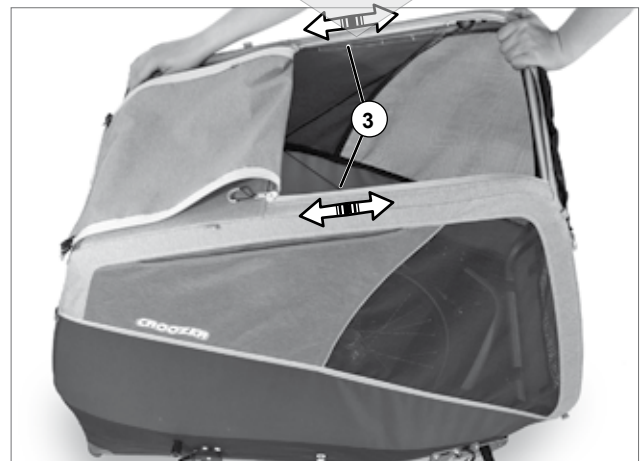
Tip: In order to unfold the Croozer Dog correctly, the frame must remain completely covered by the fabric body, and the openings (7) for the handlebar (accessory) must be positioned over the handlebar attachment sockets.



Initial Assembly and Unfolding the Croozer Dog



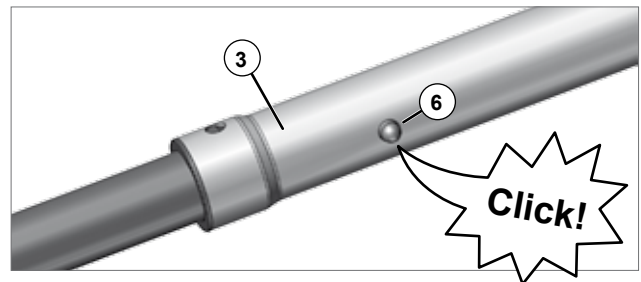
5. Now, pull the two sections of the frame (1 and 2) further apart until the telescopic rods (3) are fully extended and the pins (6) of the locking mechanism have visibly and audibly snapped into the holes in the rods.
6. Check that the two locking mechanisms are correctly engaged by trying to push the two sections of the frame (1 and 2) towards one another with gentle pressure. There should be no movement in the frame sections when you push them together.



CAUTION!

If the locking mechanisms are not properly engaged, the frame of the Croozer Dog could collapse while riding, potentially resulting in serious injuries for the dog.

7. To fold the Croozer, follow these instructions in the reverse order. Squeeze the pins (6) of the locking mechanisms on both sides, and fold down the front and rear sections of the frame.

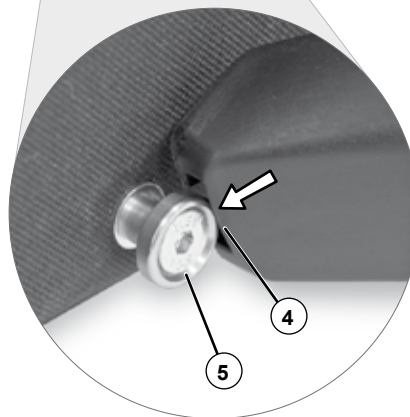
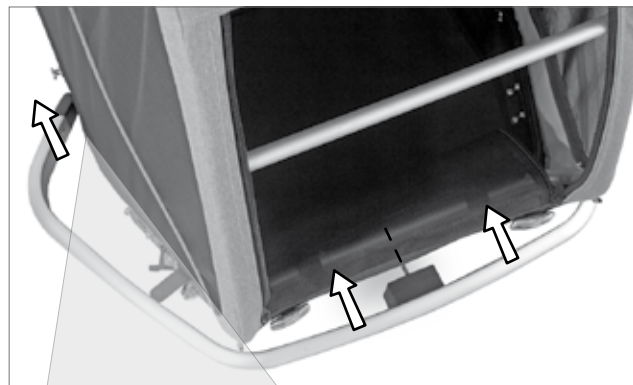
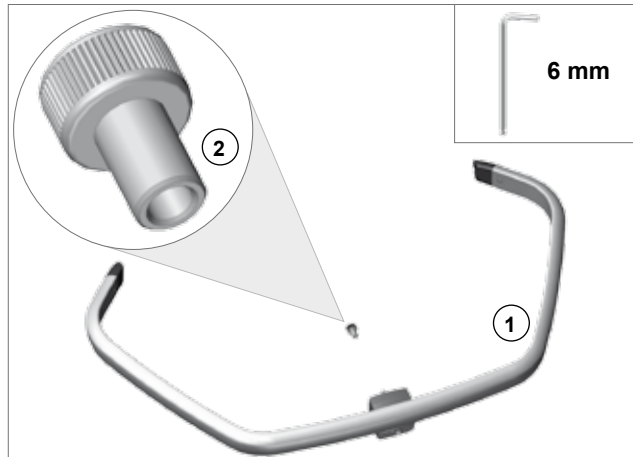


Mounting the bumper

Because packaging size is limited, the bumper of the Croozer is shipped unattached. The bumper is included in the packaging and must be properly installed.

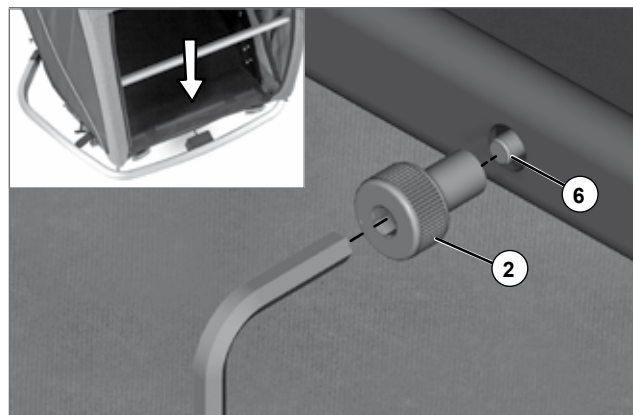
An M6 knurled socket-head nut (2) is used for fastening the front bumper (1). This nut can be found in the plastic bag that contains the 6mm Allen key.

1. Open the zippers of the front panel.
2. Holding the bumper with both hands, guide the bolt (6) in the centre of the bumper from the front into the respective opening in the Croozer frame while pressing the open ends of the bumper (4) as far as they will go onto the pins (5) protruding from each side of the frame. You should be able to hear and feel the ends lock into place on the pins (5).



Tip: If the bolt (6) is positioned in the middle of the hole, it is easier to screw on the knurled nut (2).

3. Position the bolt (6) in the middle of the hole by pressing on the bumper. Then guide the knurled nut (2) into the hole, and screw it onto the end of the bolt, tightening it by hand.
4. Use a 6mm Allen key to secure the knurled nut (2) as tightly as possible.
5. To remove the bumper, follow these instructions in the reverse order.



Initial Assembly and Unfolding the Croozer Dog

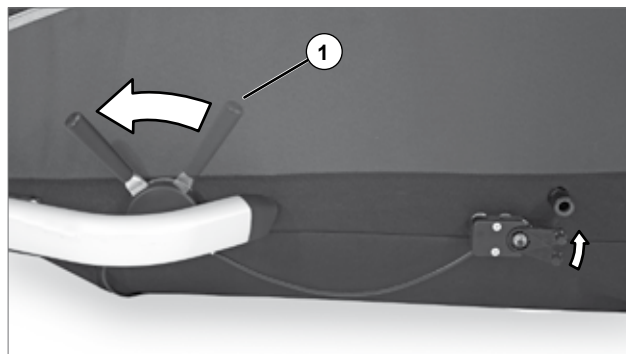
Checking and adjusting the parking brakes

To ensure that the parking brakes are in perfect working order, they must be checked and, if necessary, adjusted.

⚠ WARNING!

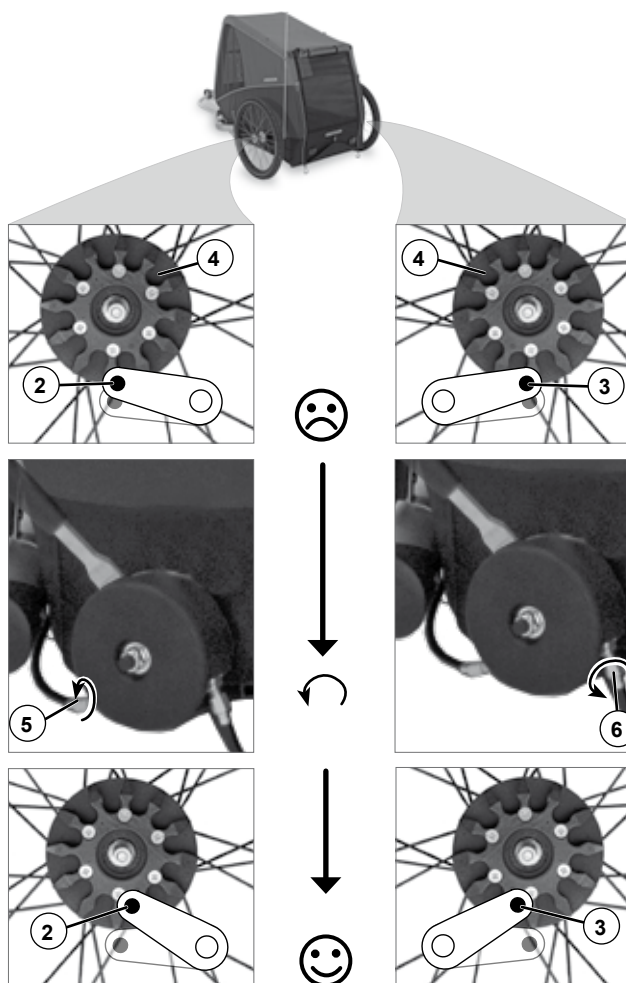
The parking brakes must be correctly adjusted! If the parking brakes have not been correctly adjusted, the parked Croozer could roll away unexpectedly, resulting in accidents with serious injuries or death.

1. Pull the brake lever (1) as far forward as it will go. The brake pins (2 and 3) on both sides of the Croozer will move upwards and engage in the locking plates (4) on the side wheels. For a better view of the parking-brake mechanism, the photo on the right shows the trailer with the respective side wheel removed.



Tip: *It might be necessary to roll the Croozer a few centimetres forwards or backwards so that the brake pins can engage in the locking plates.*

2. If the brake pins (2 and 3) on one or both sides of the Croozer fail to engage fully in the locking plate(s) (4) on the side wheel(s), then adjustment is necessary.



3. If the brake pin (2) on the left side of the Croozer does not engage fully in the locking plate (4), then turn the respective barrel adjuster (5) on the brake lever anticlockwise until the brake pin (2) is engaged fully in the locking plate (4).

4. If the brake pin (3) on the right side of the Croozer does not engage fully in the locking plate (4), then turn the respective barrel adjuster (6) on the brake lever anticlockwise until the brake pin (3) is engaged fully in the locking plate (4).

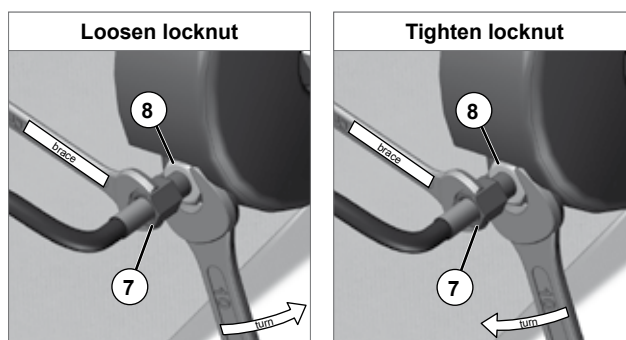
5. After adjustment, check the function of the parking brakes by pulling the brake lever forwards and trying to move the Croozer forwards or backwards with gentle pressure. It should not be possible to move the Croozer when the parking brakes are engaged.

Tip: Using barrel adjusters with locknuts:

Loosening: Use an 8mm spanner to brace the barrel adjuster (7) while rotating the locknut (8) several turns anticlockwise using a 10mm spanner.

Adjusting: The barrel adjuster (7) can now be turned to adjust the length of the cable.

Tightening: Brace the barrel adjuster (7) with an 8mm spanner while using a 10mm spanner to turn the locknut (8) as far as it will go clockwise.



Attaching and removing the wheels

The wheels of the Croozer Dog are equipped with push-button axles. When you press the dust cap (1), the retaining balls (2) will retract within the axle to permit the attachment or removal of the wheel. The wheels cannot be attached or removed unless the dust cap is pressed in.

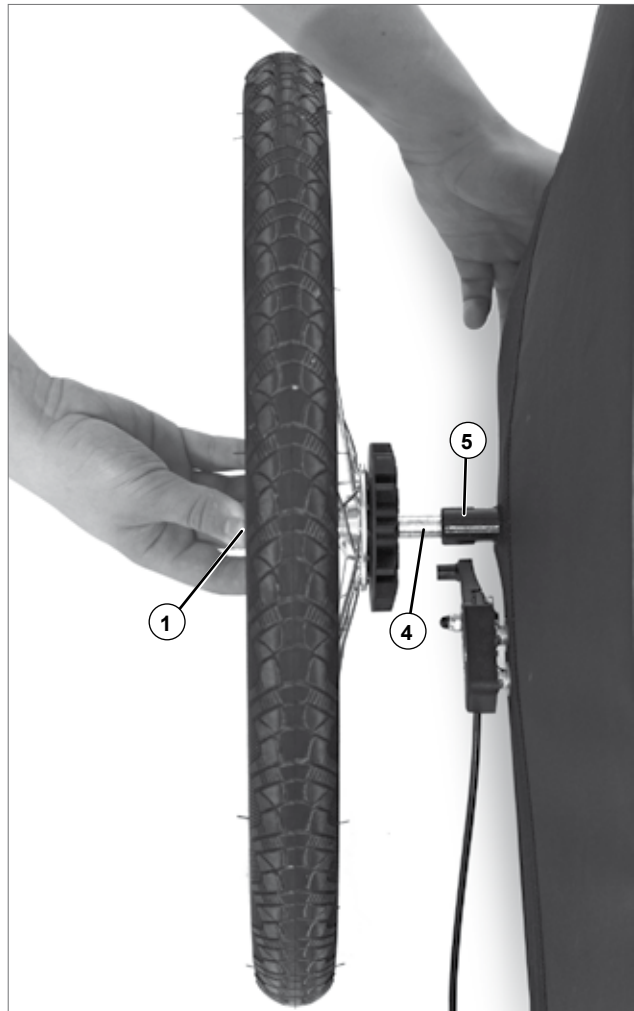
1. Use one hand to lift up the back of the Croozer Dog.
2. Press the dust cap (1) of the wheel hub.
3. Insert the wheel axle (4) into the axle receiver (5) of the Croozer Dog as far as it will go and release the dust cap.
4. Check whether the wheel is locked securely in the axle receiver by pulling firmly on the wheel without pressing the dust cap. It should not be possible to remove the wheel without pressing on the dust cap.
5. Repeat steps 1–4 to attach the second wheel.



WARNING!

After the wheels have been attached, be sure to check that they are both locked securely in the axle receivers. This can be done by pulling on the wheels without pressing on the dust caps. It should not be possible to remove the wheels unless you are pressing on the dust caps. Wheels that are not securely locked in the axle receivers could fall off while riding, resulting in accidents with serious injury or death.

6. To remove the wheels, follow these instructions in the reverse order. Press the dust caps (1) and pull the wheel axles out of the receivers.



Converting the Croozer Dog to a Bicycle Trailer

Installing and removing the hitch arm

If the Stroller wheel (accessory) is mounted to the Croozer, be sure to remove it before installing the hitch arm.

The hitch arm is installed on the left side of the Croozer (relative to the direction of travel). The Croozer is hitched to the left side of the towing bicycle (relative to the direction of travel).

Tip: *The first time you install the hitch arm, we recommend tipping the Croozer onto its back end in order to have a better view of the parts while familiarising yourself with the procedure. Make sure that your working surface is clean and smooth to avoid soiling and/or damaging the fabric body. Later, once you are familiar with the installation and removal procedures, you can install the hitch arm with the front of the Croozer slightly raised.*

1. Lift the front of the Croozer, or tip the frame onto its back end.
2. Pull out the security pin (1).
3. Hold the hitch arm (2) with the hole (4) facing upwards and the hitch arm at an approx. 45° angle to the attachment bracket (3).
4. Guide the retaining bolts (5) at the end of the hitch arm gently into the slots of the hitch-arm attachment bracket.
5. Then fold the hitch arm upwards into the hitch-arm attachment bracket until the retaining bolts (5) of the hitch arm are fully engaged in the slots of the attachment bracket.

NOTICE

Do not let the strap of the security pin get caught between the hitch arm and attachment bracket as this could damage the strap.

6. Insert the security pin (1) as far as it will go through both holes of the hitch-arm attachment bracket. The head of the security pin is magnetic and will adhere to the hitch-arm attachment bracket.



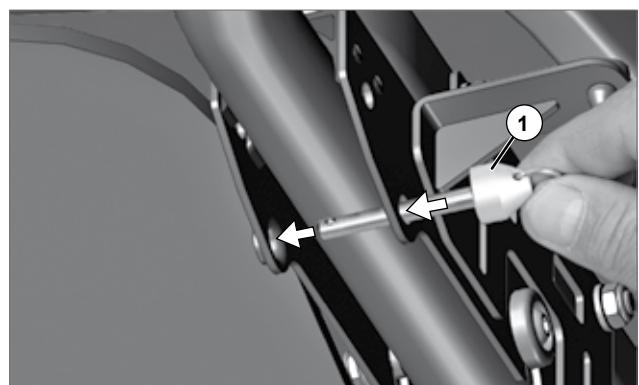
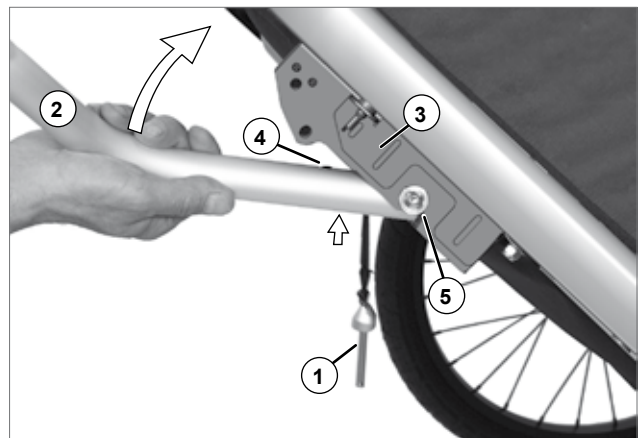
WARNING!

Always check that the security pin has been inserted as far as it will go through both holes and that it cannot fall out. If the security pin is not properly inserted, the hitch arm could fall off while in use, resulting in accidents with serious injury or death.

7. To remove the hitch arm, follow these steps in the reverse order.

NOTICE

After removing the hitch arm, always lock the security pin back into the holes in the bracket. Never leave the security pin hanging freely from its strap. It could get caught on passing objects and be pulled off, damaging parts of the vehicle. Never allow the magnetic security pin to come in contact with the ground. Otherwise, it could attract and accumulate magnetic particles.



Installing the axle hitch to the towing bicycle

The hitch is always mounted to the left side of the bicycle (relative to the direction of travel) and consists of two parts: a hitch connector (1), which is attached to the hitch arm of the Dog Trailer, and an axle hitch (2), which must be mounted to the rear axle of the towing bicycle.

Before installing the axle hitch, you must first check whether the bicycle is approved for towing a trailer. This information can be obtained from the bicycle manufacturer, a bicycle shop or the owner's manual of the bicycle.



WARNING!

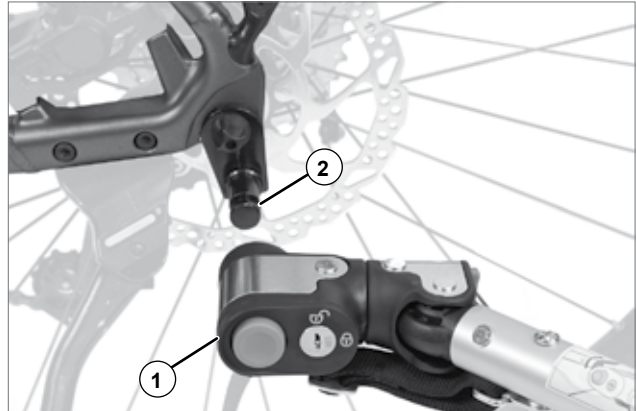
It is vitally important to confirm that the towing bicycle is approved for pulling trailers. Pulling a trailer with a bicycle that has not been approved by its manufacturer for use as a towing bicycle can result in frame breakage or other material damage. Breakages of this kind could cause accidents with serious injury or death.

If you are not completely confident about your ability to install the axle hitch correctly, please consult with, or have the installation performed by, a professional bicycle mechanic.



WARNING!

It is vitally important that the axle hitch be properly installed. An improperly installed axle hitch could come loose while riding and cause accidents with serious injury or death.



Converting the Croozer Dog to a Bicycle Trailer

Installing the axle hitch to a bicycle with a quick-release axle

The quick-release lever (1) must be positioned on the right side of the bicycle (relative to the direction of travel). If the lever is on the left side, the quick-release skewer must be removed and reinserted from the right side. Be sure to follow the applicable instructions in the owner's manual of the bicycle and/or consult a professional bicycle mechanic.

1. Open the quick-release lever (1) on the rear wheel of the towing bicycle or loosen the Allen bolt (5 mm), depending on the type of quick-release skewer. Often, the open position is indicated on the lever by the word "OPEN". In this case, when the word "OPEN" can be seen, the lever is in the open position.
2. Remove the tension-adjusting nut (2) of the quick-release assembly by turning the nut anticlockwise. Use caution: the spring located just beneath the nut is under tension and could fly off when removing the nut.
3. Fit the axle hitch (3) over the end of the quick-release skewer by sliding the skewer (with the spring) through the hole in the hitch.
4. Thread the tension-adjusting nut (2) back onto the skewer, turning it clockwise at least five full turns.



WARNING!

The tension-adjusting nut must engage the threads of the skewer for at least five full turns in order to ensure adequate clamping force for holding the rear wheel securely. Failure to tighten the tension-adjusting nut adequately may result in accidents with serious injury or death. If the quick-release skewer is too short, it must be replaced. Consult a professional bicycle mechanic for the appropriate parts and assistance.

5. Check that the rear wheel is properly aligned, adjusting the position if necessary; then close the quick-release lever (1) or tighten the hex bolt, depending on the version. Often, the closed position is indicated on the lever by the word "CLOSE". In this case, when the lever side marked "CLOSE" can be seen, the lever is in the closed position. If the axle nut has been tightened the proper amount, you will be able to feel the resistance increase when the lever is about halfway closed, i.e. parallel to the axle. The adjustment is correct if you can fully close the lever but with considerable force. In the closed position, the lever should be parallel to the frame, i.e. it should not stick out to the side.
6. Check whether the quick-release skewer is securely engaged by trying to rotate the quick-release skewer without opening the lever.

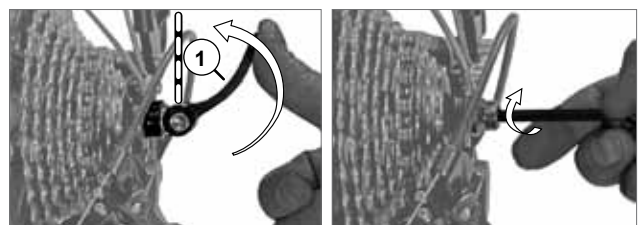
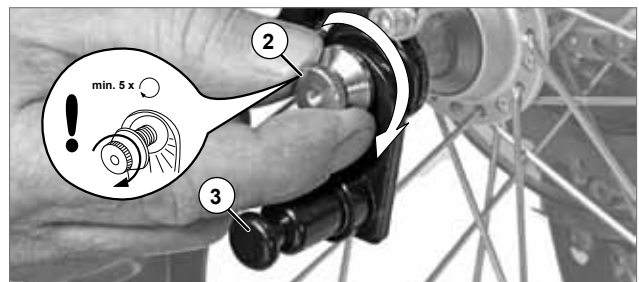
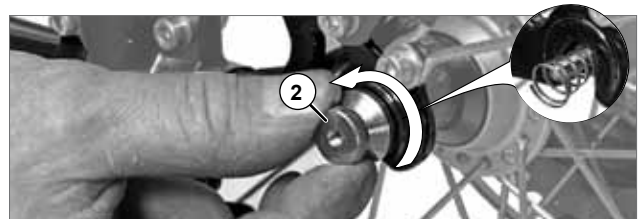
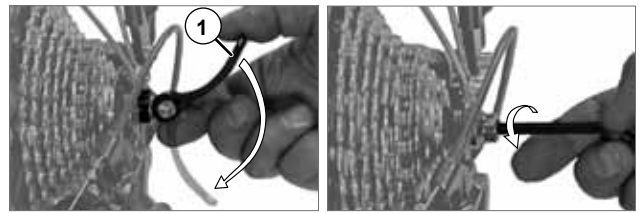
If the quick-release skewer is loose enough to rotate, then the clamping force is inadequate. In this case, open the lever, and tighten the tension-adjusting nut half a turn clockwise. Repeat steps 5 and 6.

If it is impossible to push the quick-release lever into the closed position, then open the lever, and unscrew the tension-adjusting nut half a turn anticlockwise. Repeat steps 5 and 6. Keep in mind that the tension-adjusting nut must engage the threads of the quick-release skewer for at least five full turns.



WARNING!

The tension-adjusting nut must engage the threads for at least five full turns in order to ensure adequate clamping force for holding the rear wheel securely. Failure to



tighten the tension-adjusting nut adequately may result in accidents with serious injury or death. If the quick-release skewer is too short, it must be replaced. Consult a professional bicycle mechanic for the appropriate parts and assistance.

Tip: If there is not enough space for mounting the axle hitch or if the skewer threads are too short, then you can replace the original skewer with a Croozer Quick-Release Skewer with Integrated Click & Crooz® Hitch, which is available as an accessory.

- Finally, hold the rear wheel with both hands and try to rock it back and forth to check that the wheel is held securely in the dropouts.



WARNING!

The rear wheel of the towing bicycle must be properly attached after the axle hitch has been installed. Riding with an improperly installed rear wheel can result in accidents with serious injury or death. Follow the instructions given in the owner's manual of the towing bicycle.

Installing the axle hitch to a bicycle with a solid axle

- Remove the axle nut (1) on the left side of the solid axle by turning it anticlockwise.



WARNING!

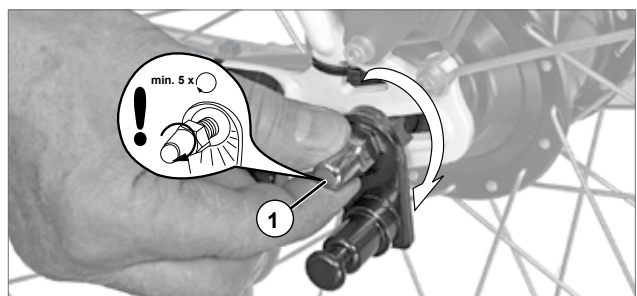
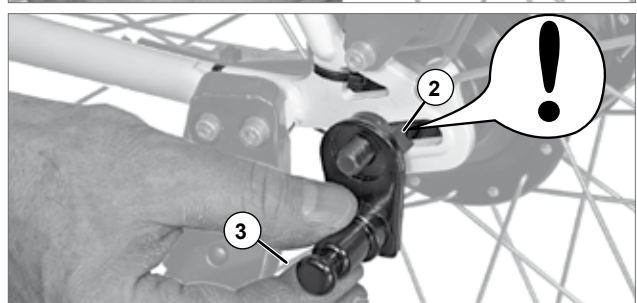
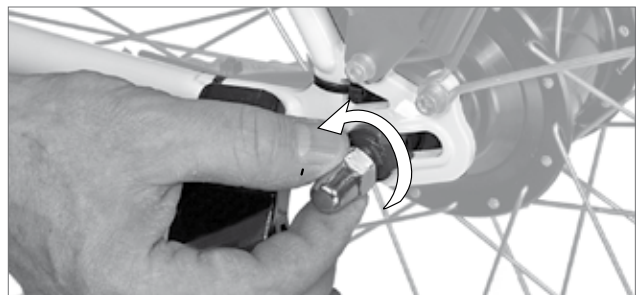
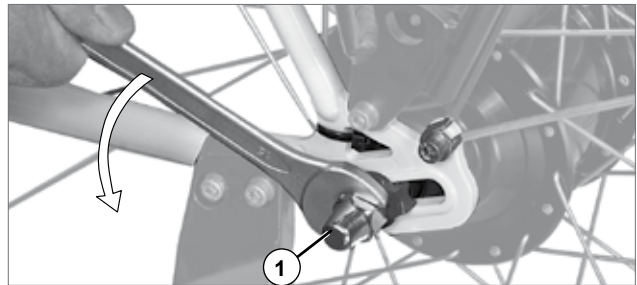
It is vitally important that you leave the retaining washer (2) on the axle. This washer prevents the axle from rotating in the dropouts. Riding without the retaining washer can result in accidents with serious injury or death.

- Without removing the retaining washer, place the axle hitch (3) onto the axle by feeding the end of the axle through the hole in the hitch.
- Screw the axle nut (1) back onto the solid axle, tightening at least five full turns.



WARNING!

The axle nut must engage the threads for at least five full turns in order to ensure adequate clamping force for holding the rear wheel securely. Failure to tighten the nut adequately may result in accidents with serious injury or death. If it is not possible to tighten the nut at least 5 full turns, then the axle is too short, and the Universal Hitch cannot be used! Consult a professional bicycle mechanic for the appropriate parts and assistance.



Converting the Croozer Dog to a Bicycle Trailer

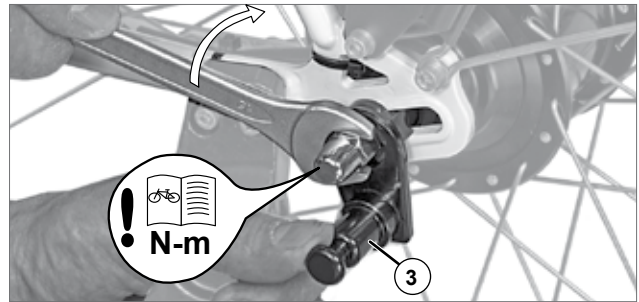
4. Check that the rear wheel of the towing bicycle is properly centred, adjusting the position if necessary; then tighten the axle nut using the tightening torque specified in the owner's manual of the towing bicycle. Be sure to hold the axle hitch (3) in place while tightening the nut.
5. Finally, hold the rear wheel with both hands and try to rock it back and forth to check that the wheel is held securely in the dropouts.



WARNING!

The rear wheel of the towing bicycle must be properly installed after the axle hitch has been mounted. Riding with an improperly installed rear wheel can result in accidents with serious injury or death. Be sure to follow the instructions given in the owner's manual of the towing bicycle. When in doubt, consult a professional bicycle mechanic.

Tip: If there is not enough space for mounting the axle hitch or if the threads of the axle are too short, then you can replace the original axle nut with a Croozer Click & Crooz® Axle Nut Hitch, which is available as an accessory.



Accessory



www.croozer.com



Installing the safety flag

The safety flag makes it easier for other road users to see the Croozer Dog, increasing your safety and the safety of other road users.

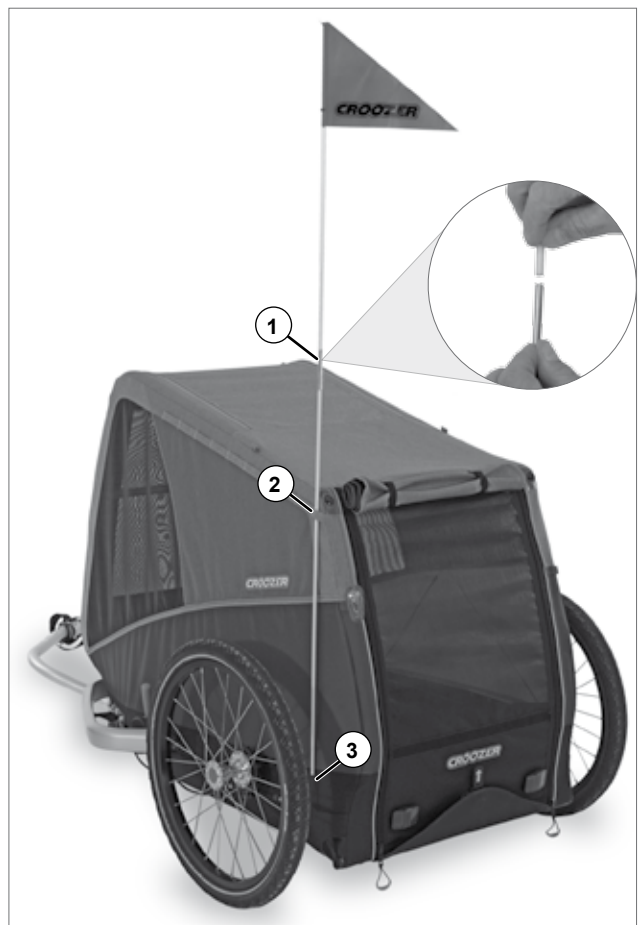
For the attachment of the safety flag, there is a loop (2) and a canvas sleeve (3) on the left side of the Croozer.

1. Assemble the flag pole (1) by connecting the two sections of the pole.
2. Slide the flag pole through the loop (2) and into the canvas sleeve (3).



WARNING!

When pulling the Croozer Dog as a Bicycle Trailer, the safety flag must be properly mounted at all times. If the safety flag is not properly mounted, other road users may fail to see the Croozer Dog, which could result in accidents with serious injury or death.



Using your Croozer Dog

Helping your pet acclimate to the Croozer Dog

Initially, your dog may be a little nervous about riding in a bicycle trailer. However, there are many ways to help him gradually get used to the Croozer Dog.

We recommend that you place the trailer in an area of your home where your dog feels safe and comfortable (e.g. in the living room). Open all zippers. Remove the side wheels (see page 13) and place the support block (1) (see below) under the Stroller-wheel socket to prevent the Croozer from tipping or wobbling.

Assembling the support block

1. Cut or tear along the perforations to separate the form from the cardboard flap of the Croozer Dog's original box (see diagram).
2. Then fold it into a block, inserting the tab through the slot as shown.
3. Place the support block (1) under the Stroller-wheel socket. Make sure the Croozer is stable.

Place your dog's favourite toys and/or blanket inside, possibly along with some treats.

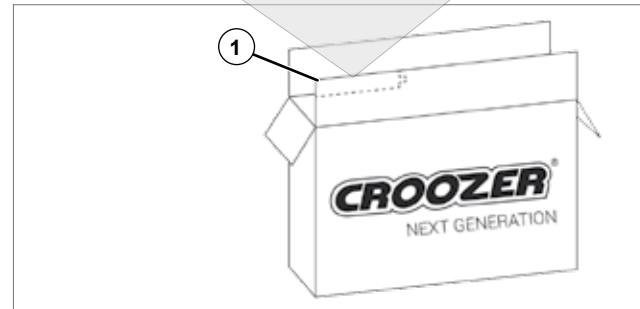
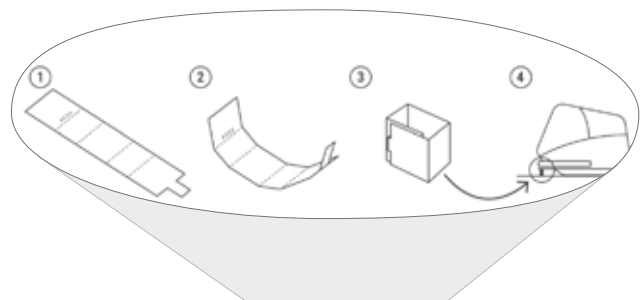
Lead your dog playfully through the Croozer as you would through a tunnel. In order to make the opening larger, it may be necessary to remove the crossbar (2) for the time being.

NOTICE

Be sure to mount the crossbar before using the Croozer as a Bicycle Trailer. Riding without the crossbar mounted can compromise the stability of the frame and cause damage to the Croozer.

If your dog is apprehensive, you can place his food bowl in the tunnel until he starts to feel more comfortable. Place the Croozer in his favourite sleeping spot, and close the front window. Then he can use it as a cosy den.

Give your dog plenty of time to acclimate to the Croozer Dog. Once your dog seems to feel comfortable in the Croozer, you can start taking short trips with him, for example by either pushing the bike or riding at a walking pace. On these first few outings, be sure to check on your dog frequently and observe his reactions to the movement of the Bicycle Trailer.



You can watch a video on this topic at



croozer.com/gluecklichsein-dog

Using your Croozer Dog

Engaging and disengaging the parking brake

The parking brake locks the wheels of a parked or stopped Croozer to prevent it from rolling away. Never use the parking brake to slow down the Croozer when in motion. Always engage the parking brake in the following situations:

- when loading and unloading your dog
- when releasing the handlebar of a parked/stopped Stroller (accessory)
- when folding the Croozer

The parking brake is operated by a lever on the left side of the Croozer. When the parking brake is engaged, both wheels are locked.

1. To engage the parking brake, pull the lever (1) towards the back of the Croozer.
2. Give the Croozer a gentle push and pull to check that the brake is correctly engaged.
3. To release the parking brake, push the lever (1) forward as far as it will go. When the brake is correctly disengaged, the Croozer wheels will be able to move freely.



WARNING!

Always set the parking brake when releasing the handlebar of the parked/stopped Croozer or when your dog is getting into or out of the Croozer. After setting the parking brake, be sure to check that the wheels are securely locked by giving the Croozer a gentle push and pull. If the parking brake is not correctly engaged, the Croozer could roll into harm's way, resulting in accidents with serious injury or death.

NOTICE

Never use your foot for operating the parking brake lever. Doing so could damage the braking mechanism.

Never attempt to pull the Bicycle Trailer or push the Stroller (accessory kit) with the parking brake engaged, as doing so could damage the braking mechanism and tyres.

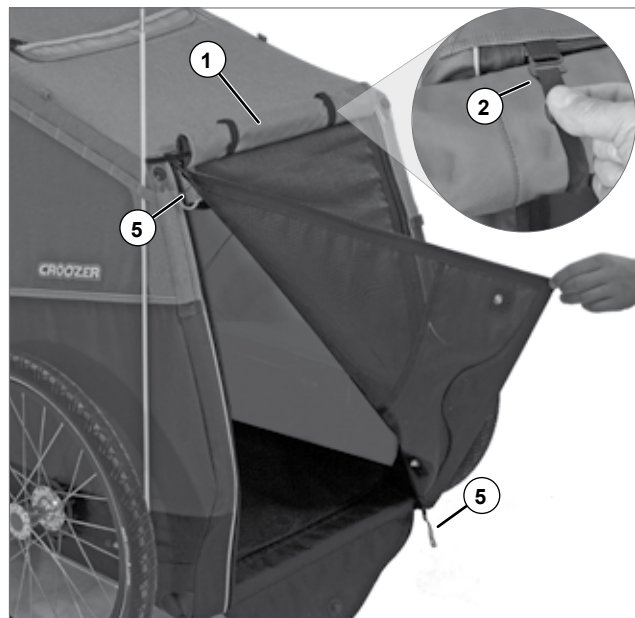
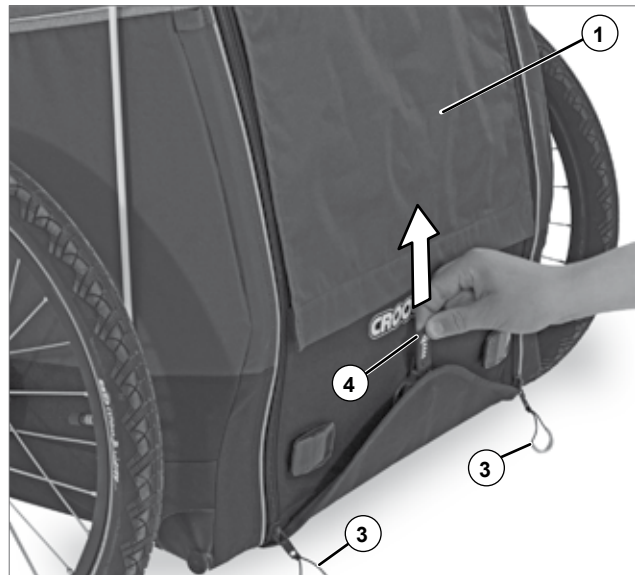


Loading and unloading your dog

To open the rear door so that your dog can easily climb into or out of the cabin of the Croozer Dog, the rear blind (1) can be rolled up and secured at the top using the elastic loops with hooks (2), and the rear panel can be opened all the way by unzipping two zippers (3) and folding the panel over the top of the Croozer. A special flap with a magnetic catch (4) serves as a door guard, offering additional protection for your pet.

When loading or unloading your dog, the parking brake of the Croozer must be engaged to prevent unintentional rolling. In addition, when you are using the Croozer as a Bicycle Trailer, the towing bicycle must be safely and securely supported to prevent it from falling over.

1. Roll up the rear blind (1) and secure it using the elastic loops with hooks (2).
2. Lift the pull tab of the magnetic catch (4) in order to open the door guard.
3. Open the zippers (3) on the rear door of the Croozer Dog, and fold it up over the top of the Trailer.
4. Let your dog climb into the cabin of the Croozer Dog.
5. Close the two zippers (5) on the rear panel.
6. Lift the door guard, and the magnetic catch (4) will close automatically.



WARNING!

Always ensure that the rear panel of the Bicycle Trailer is completely closed and the magnetic catch of the door guard is secured before starting your ride. Otherwise, your dog could attempt to find a way out of the cabin while the Trailer is in motion, which would put himself and other road users in danger and potentially cause accidents with serious injury or death.

7. Roll down the rear blind (1), and secure it using the attached Velcro strip.

Tip: *Always close the rear blind when riding with the Bicycle Trailer. Otherwise, your dog could become irritated by the people and animals you pass.*

8. When unloading your dog, follow these instructions in the reverse order.

Using your Croozer Dog

Opening and closing the front window and sunroof

To allow your dog to look out from the front of the cabin when using the Croozer Dog, the front window (5) can be opened. In addition, the sunroof panel (8) can be opened for more headroom and fresh air.

1. Open the zippers (4) of the window (5) on the front panel of the Croozer Dog to just below the crossbar (6), and fold the top part of the window over the crossbar from inside to outside so that it hangs outside the cabin (A).



WARNING!

Never open the front window all the way when riding with the Bicycle Trailer. Otherwise, your dog could attempt to jump out of the Trailer while riding, which would put himself and other road users in danger, and potentially cause accidents with serious injury or death.

2. Open the zippers (7) of the sunroof (8) in the top panel of the Croozer Dog, roll up the sunroof (8), and secure it at the top, using the elastic loops and hooks.



CAUTION!

When riding with the front window open, insects, small stones and other road debris could fly into the cabin of the Croozer Dog and potentially injure your dog.

3. To close the window, follow these instructions in the reverse order.

Using the protective cover

In wet weather conditions, you can attach the protective cover (10) to protect your dog and the inside of the Croozer from splashes and dirt.

The protective cover is attached to the loops on the Croozer using four hooks.



Transporting your pet in the Croozer Dog

Load capacity



WARNING!

Never transport cargo items together with a dog or other animal in the cabin of the Croozer Dog! Cargo items can shift during transport, resulting in sudden changes in weight distribution, especially if the dog reacts by moving around the cabin. Shifting weight can cause erratic handling, which can lead to accidents with serious injury or death.

When using the Croozer Dog, never exceed the weight limits specified below:

	Dog Peppa	Dog Jokke	Dog Bruuno
Max. Weight of Dog*	35 kg (77 lb)	45 kg (100 lb)	45 kg (100 lb)

* Weight limits only apply if the hitch-arm load is within the specified range of 3 to 11 kg (6.6 to 24.3 lb). See below.



WARNING!

NEVER OVERLOAD THE CROOZER DOG. Excessive weight will have a significant effect on the Croozer Dog's handling, which could result in accidents with serious injury or death.

Proper weight distribution and hitch-arm load

For safe handling, the weight on the hitch connector should be between 3 and 11 kg (6.6 and 24.3 lb); the hitch-arm load (nose weight) is associated with an even distribution of weight in the trailer.

If the centre of gravity is too far forward, the hitch connector will be overloaded. If the centre of gravity is too far behind the wheels, the rear wheel of the towing bicycle could lose traction, especially when making turns. If the centre of gravity is too far right or left, the Bicycle Trailer has a stronger tendency to tip over when making turns. Check the weight on the hitch connector before using the Croozer Dog as a Bicycle Trailer.

Follow these steps, using your bathroom scales, to determine the weight on the hitch connector:

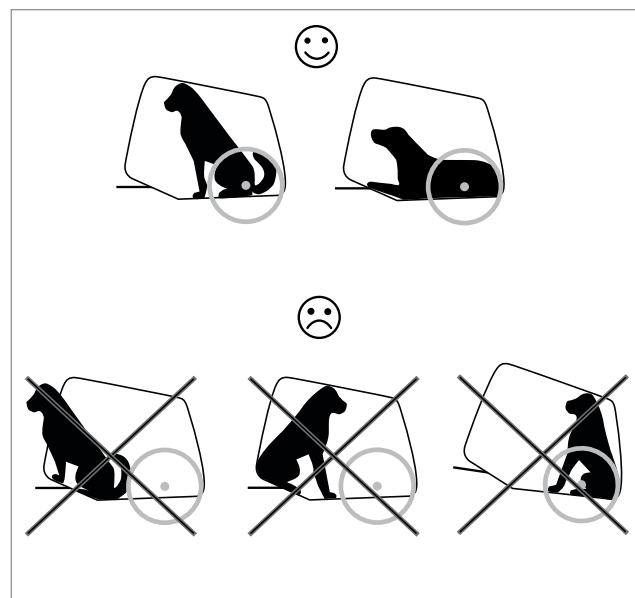
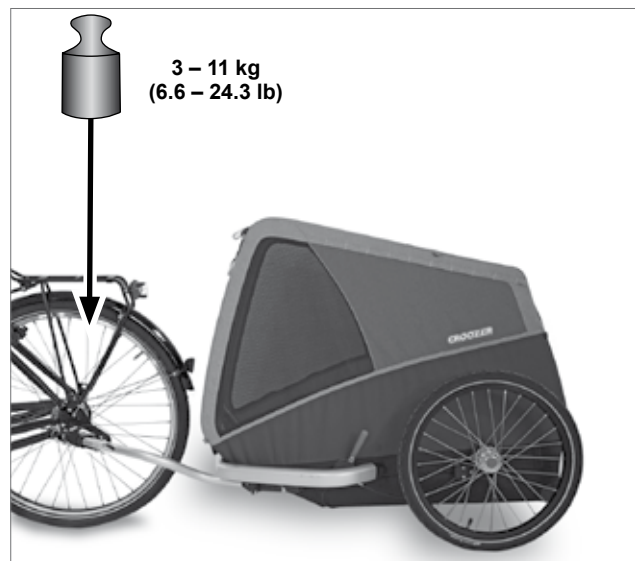
1. Place your bathroom scales beside the hitch arm of the loaded and unhitched trailer.
2. Step onto the scales and make a note of your weight.
3. Now, while standing on the scales, lift the hitch connector of the hitch arm about 30 cm (1 foot) off the ground.
4. The weight shown on the scales should be 3 to 11 kg (6.6 to 24.3 lb) more than your own weight.



WARNING!

Never overload the trailer and never ride with a hitch-arm load that is outside the specified range of 3 to 11 kg (6.6 to 24.3 lb). Always distribute the load evenly. Failure to do so could compromise the handling properties and cause accidents with serious injury or death.

Tip: Make sure that your dog is positioned with his centre of gravity as close as possible to the axle. This is the only way to ride with an optimal weight distribution.



Using your Croozer Dog

Hitching the Croozer to the towing bicycle

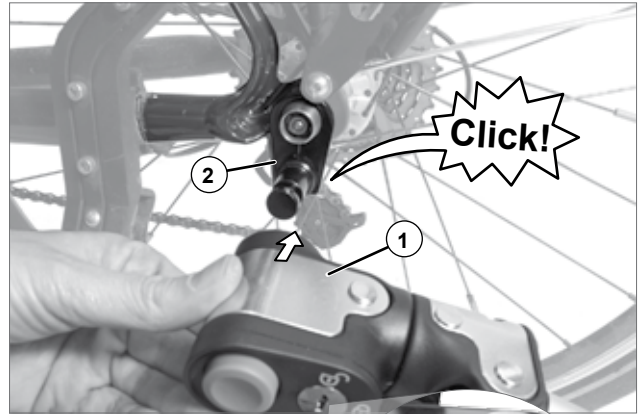


WARNING!

It is vitally important that you check whether the towing bicycle has been approved by its manufacturer for pulling a trailer. Towing a trailer with an unsuitable bicycle can result in frame breakage and accidents with serious injury or death.

Never hitch the trailer with pets inside.

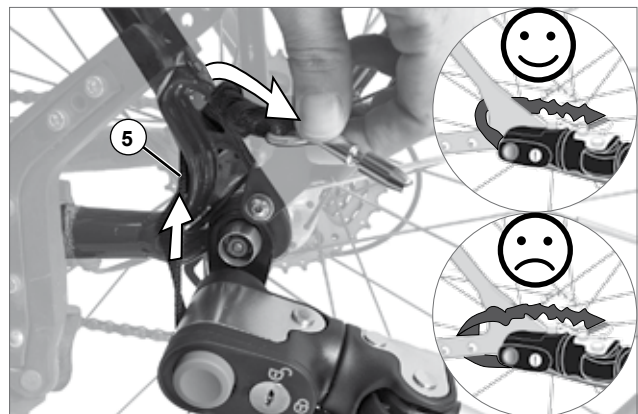
1. Lift the hitch arm of the Croozer, and push the hitch connector (1) as far as it will go onto the axle hitch (2) that has been installed on the towing bicycle. You should hear a click and be able to see that the axle hitch is securely engaged in the hitch connector. Pull gently on the hitch connector to ensure that it is locked securely to the axle hitch.



WARNING!

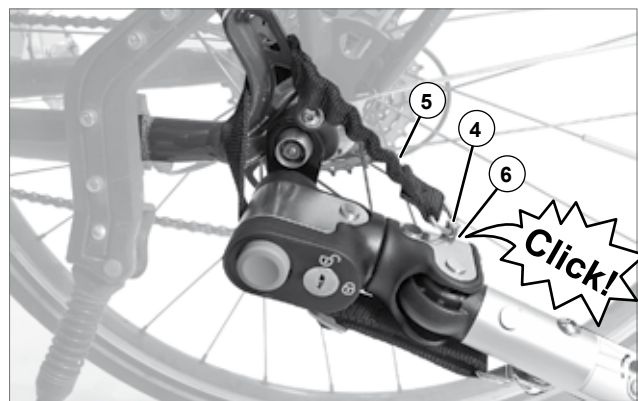
Always check to make sure that the axle hitch is locked securely in the hitch connector. If the axle hitch is not locked securely in the hitch connector, the Croozer could become unhitched while riding, resulting in accidents with serious injury or death.

2. Wrap the hitch-arm safety strap (5) around the seat stay of your bicycle, and push the pin (4) into the hole (6) until you hear it click into place. Pull up on the pin to make sure that it is locked securely in the hole.



WARNING!

The hitch-arm safety strap must be wrapped around a part of the bicycle frame, ideally the seat stay. Rear carrier stays or mudguard stays do not offer enough stability and are therefore not suitable as sites for securing the hitch-arm safety strap. Never pull the Croozer as a Bicycle Trailer with a defective hitch-arm safety strap or without the hitch-arm safety strap securely fastened to the towing bicycle. The safety strap ensures that the Croozer would remain connected to the towing bicycle if the hitch connector were to fall off the axle hitch. Failure to keep the safety strap mounted can result in serious injury or death.



NOTICE

The front part of the hitch-arm safety strap is elastic. After the hitch-arm safety strap has been wrapped around the seat stay and the pin has been inserted into the hole, the strap should be under slight tension so that it cannot come in contact with moving parts. If the hitch-arm safety strap is not wrapped around the seat stay correctly, it could be destroyed by rotating parts like the spokes, hub or disc brake while riding.

Tip: The length of the hitch-arm safety strap can be adjusted. The hitch-arm safety strap must be adjusted to the shortest possible length so that it cannot come in contact with the spokes, hub or disc brakes. Check, and if applicable readjust, the length of the hitch-arm safety strap whenever you use the Croozer with a different bicycle.



CAUTION!

Never leave the Stroller wheel (accessory) attached when using the Croozer as a Bicycle Trailer. The Stroller wheel could get caught on obstacles as you pass, resulting in accidents with injuries.

3. In order to prevent spontaneous theft or the unhitching of the Croozer from the towing bicycle by an unauthorised person, the hitch connector is equipped with a hitch lock. This mechanism makes it possible to lock the Croozer to the towing bicycle.

Locking: Insert the key into the lock, turn the key to the horizontal position, and remove it.

Unlocking: Insert the key into the lock, turn the key to the vertical position, and remove it.

NOTICE

Never leave the key in the lock when pulling the Bicycle Trailer. The key could break off.

Tip: The hitch lock comes with three keys. If you need additional keys, you can have duplicates made by a locksmith or another key-cutting service (key blank Silca no. LS11).

Tip: If the lock becomes stiff after a while, you can lubricate the cylinder. However, it is important that you only use penetrating oil or a special spray for cleaning and lubricating locks. Conventional chain oil or grease will collect dirt and "gum up" the lock cylinder.

NOTICE

The hitch lock by itself does not adequately protect the Croozer from theft over longer periods of time. Always use one or more bicycle locks to secure both the towing bicycle and the Croozer to fixed, immovable objects, like lamp posts etc.

Tip: You can use a shackle lock or a cable lock to secure the bumper and frame to an immovable object.



unlocked

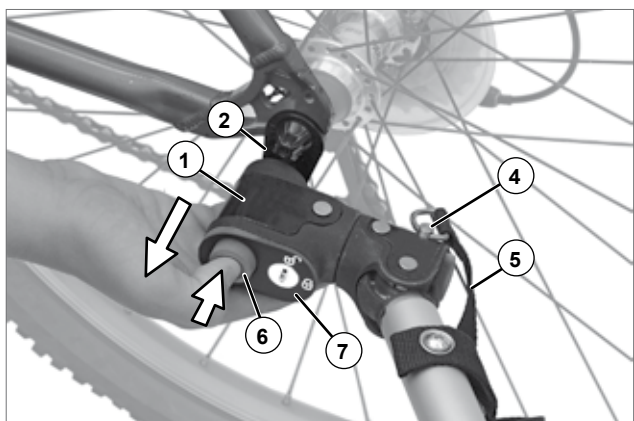


locked



Unhitching the Croozer from the towing bicycle

1. To unhitch the Croozer, follow the instructions above in the reverse order. Open the lock on the hitch connector (7), unfasten the hitch-arm safety strap (5), and reinsert the pin (4) in the hole. Press the button (6), and pull the hitch connector (1) off the axle hitch (2).



Special considerations when riding with the Bicycle Trailer

Speed

When pulling the Bicycle Trailer, never ride faster than its maximum allowable speed of 25 km/h (15 mph). Always reduce your speed to a walking pace when turning. Keep in mind that riding speed is often underestimated, especially on bikes with electric assist, which require less muscle power. Also keep in mind that braking distance is increased when pulling a bicycle trailer.



WARNING!

Riding too fast could cause the Croozer to skid or even tip over, resulting in accidents with serious injury or death.

Load capacity

Never transport more than the specified load capacity. Furthermore, never ride with less than 3 kg (6.6 lb) or more than 11 kg (24.3 lb) of weight on the hitch connector (nose weight). See section “Proper weight distribution and hitch-arm load” on page 23.



WARNING!

NEVER OVERLOAD THE CROOZER DOG. Excessive weight will have a significant effect on the Croozer Dog's handling, which could result in accidents with serious injury or death.

Riding in conditions of poor visibility

If you plan to use the Croozer Dog as a Bicycle Trailer at night, dusk or dawn – or when visibility is in any way reduced – the Trailer must be equipped with a fully functional lighting system. The Croozer Dog comes with a battery-powered light that satisfies the legal requirements (e.g. of the German road traffic regulations StVO) and is attached to one of the loops (1) at the top of the rear panel. Be sure to familiarise yourself with the legal requirements of the country or region where you plan to use the Croozer.



WARNING!

Never use the Bicycle Trailer without lighting at night, dusk or dawn – or whenever visibility is in any way reduced. Other road users may not be able to see you, which could result in accidents with serious injury or death.

Tips for the towing bicycle

- For towing the Bicycle Trailer, we recommend using a bicycle with multiple gears. The more speeds the bicycle has, the easier it will be to find the appropriate gear, for example, when starting, climbing hills or riding with a headwind.
- The towing bicycle must have two strong, independently operated brakes that are not only in perfect working order but also work effectively in wet weather conditions. This is absolutely essential, as the brakes must be able to stop the bike with the additional weight of the trailer.
- The towing bicycle must have a sturdy, rear-mount kickstand able to hold the bicycle firmly upright to guarantee safety and comfort when loading and unloading your dog. Single-legged kickstands mounted in the middle of the bicycle, under the bottom bracket, are NOT suitable because the weight of the hitched Bicycle Trailer, which rests on the rear axle, would make the parked bicycle unstable. Consult a bicycle shop for assistance in choosing the right kickstand.
- We recommend riding with a rear-view mirror on the towing bicycle. A rear-view mirror makes it easier to check on your dog in the trailer and keep an eye on

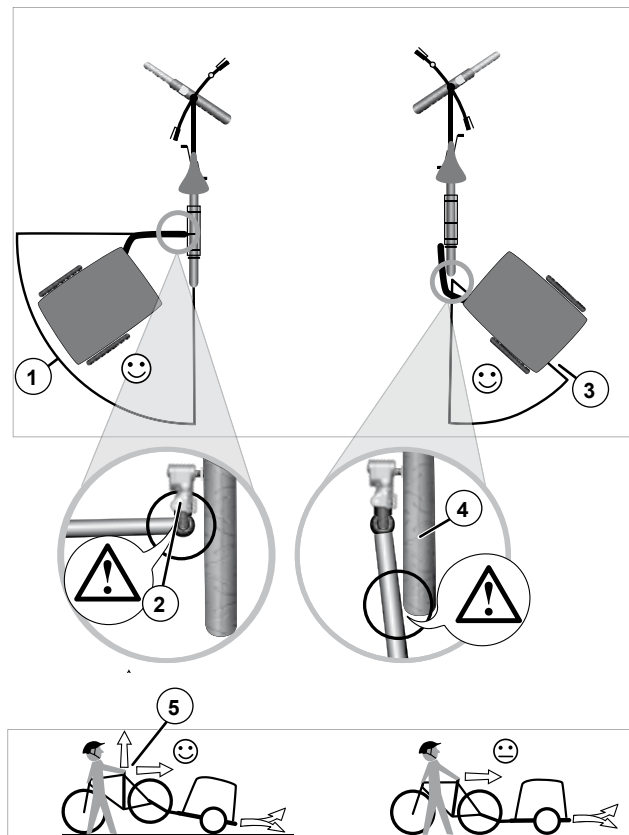


the vehicles behind you so that you can react appropriately. Always ride defensively.

- The towing bicycle should have a long rear mudguard with a mud flap to protect your dog from stones and other road debris that could be thrown up by the rear tyre and to avoid soiling the body and interior of the trailer.

Tips for riding with the Trailer

- When pulling a loaded Trailer, the handling, balance and performance of the towing bicycle will be affected, especially when starting, braking, turning or riding downhill. Prior to your first trip, we recommend taking a practice ride (without your dog) in a calm, traffic-free area; load the Trailer with cargo of approximately the same weight as your dog, for example, by strapping a loaded rucksack into the cabin. This is a great way to acquaint yourself with the handling of the bicycle and the dimensions of the Trailer.
- Before using the Trailer in traffic, it is important that you help your pet get acclimated to the Croozer Dog (see page 19).
- The safety flag on the long, vertical pole will make you more visible to other road users. Never ride without the safety flag properly mounted.
- Cyclists should always use available bike paths or lanes, even when pulling a trailer. Be especially careful when riding on narrow bike paths or lanes, as well as on paths and trails with two-way traffic. The Trailer is wider than the handlebars of most towing bicycles, and in most cases, it will not be centred behind the towing bicycle. Reduce your speed in places where navigation is especially challenging; and if you are ever in doubt about whether the Trailer will be able to fit through an opening, dismount and push the bike and trailer through.
- Reduce your speed when riding on paths or streets with bumps or uneven surfaces. Reduce your speed when turning. Otherwise the centrifugal force could cause the Trailer to tip over.
- Keep in mind that braking distance is increased when pulling a bicycle trailer.
- The Trailer requires a wide turning radius in both directions. Do not turn sharply. When turning left, keep in mind that the angle (1) between the rear wheel of the towing bicycle and hitch arm of the Trailer must never be greater than 90°. Turning at sharper angles could damage the hitch connector (2). Be extremely cautious when turning right, as sharp right turns (3) can cause the rear wheel of the towing bicycle to hit the hitch arm, potentially damaging the hitch arm and/or the rear wheel of the towing bicycle (4).
- When pushing the towing bicycle backwards, keep in mind that the angle (1) between the rear wheel of the towing bicycle and the hitch arm of the Trailer must never be greater than 90°. The hitch connector (2) could be damaged if bent beyond this angle. When manoeuvring backwards, it is advisable to lift up the rear wheel (5) of the towing bicycle or, ideally, the whole bicycle.
- If you are planning a cycling trip with the Bicycle Trailer in another country, be sure to familiarise yourself in advance with the legal requirements that apply in the regions or countries you intend to visit. Some countries do not permit the use of bicycle trailers, and others impose certain age restrictions for their use.
- The equipment legally required for bicycle trailers varies from country to country, and sometimes even from state to state. Be sure to observe and comply with the laws that apply in the country or state in which you will be using the Croozer Dog.



Transporting your Croozer Dog

Transporting your Croozer Dog

The Croozer Dog can be folded to a compact size for transport.

1. Before folding, make sure the cabin of the Croozer Dog is completely empty.
2. Remove the hitch arm, safety flag and any accessories that have been mounted (e.g. handlebar and Stroller wheel).
3. Remove the side wheels. See page 13.
4. Fold the Croozer Dog. See page 8.

Tip: When folding the Croozer Dog, make sure that the tensioning cables do not get entangled or caught on other parts. If this occurs, pull the rear section of the frame back up; then try folding it down again while pushing the tensioning cables outwards.

5. The Croozer Dog is now ready for transport.

Tip: When transporting the Croozer Dog, all removed parts can be placed inside the cabin. Use packaging material to protect individual parts.

NOTICE

Check that no sharp objects are positioned in such a way that they could damage the fabric body during transport. Use padding material.

NOTICE

Never transport the Croozer Dog – even when folded – on the roof of a motor vehicle, as this could damage the fabric body.

6. For air travel etc., we recommend packing the folded Croozer Dog in its original box. Use padding material to prevent the Croozer from moving around inside the box.

Tip: The unfolded Croozer Dog with the wheels removed can also be used in a car as a dog carrier.



Croozer Dog Inspections and Maintenance

To ensure that your Croozer Dog will have a safe, long and problem-free service life, inspections and maintenance must be performed at regular intervals. The Croozer Dog's wheels, hitch arm, frame, fabric body, security pins, hitch connector and hitch must be checked periodically for damage. If any of these parts are found to be damaged, the Croozer Dog may not be used until the damage has been properly repaired.

WARNING!

Never use the Croozer Dog if it is not in perfect working order. Damaged parts could cause accidents with serious injury or death. Therefore, be sure to have your Croozer Dog serviced regularly – at least once a year – by a professional bicycle mechanic.

WARNING!

It is vitally important that the maintenance work described in this section be performed to professional standards and at the specified intervals.

Inspection intervals

Check the overall condition of the Croozer Dog before each use, or daily, to identify any parts in need of repair or replacement. Generally, a visual inspection is sufficient: is everything where it belongs, are there any tears in the fabric body, are any of the metal parts cracked or bent, are the tyres in good condition and properly inflated, are all security pins securely locked in the appropriate positions and, if applicable, are the accessories in perfect working order? A complete checklist for inspection is provided in the table on the right.

Service intervals

Have the Croozer Dog serviced by a professional bicycle mechanic at least once a year. The required frequency of maintenance will depend on various factors, such as weather conditions, road conditions, loading etc. If the Croozer Dog is not being used very often, then an annual service by a professional bicycle mechanic is sufficient. If the Croozer Dog is used on a daily basis, even in the winter, then we recommend having it professionally serviced more often, as the parts can wear significantly faster. Using a bike with electric assist to pull the Bicycle Trailer can also subject the parts to much greater wear, meaning that shorter service intervals may be necessary.

Before each use	What should be done?
Visual Inspection by User	
Overall condition	Check for damaged parts
Fabric body	Check for tears etc.
Locking mechanisms and fastening systems	Check for proper function and whether securely locked
Hitch arm, hitch connector and axle hitch	Check for damage and proper installation
Attachment of side wheels	Check that the axles are locked securely in the axle receivers
Hitch connector and hitch-arm safety strap	Check for correct attachment
Light	Check for proper function
Tyres	Check tyre pressure, check for damage/ cracks
Quick-release axles with retaining balls and push-button pins (side wheels)	Check for proper function
Cargo weight and hitch-arm load (nose weight)	Ensure that all values are within specified limits
Safety flag on Bicycle Trailer	Check that flag is installed
Towing bicycle	Check that towing bicycle is in perfect working order
Parking brake	Check for proper function on both sides
Monthly*	
Tyres	Check tyre pressure, check for damage/ cracks, check tread depth
Side wheel axles	Clean and lubricate retaining balls and push-button pins
Yearly*	
Full maintenance check	Vehicle must be serviced by a professional bicycle mechanic
* depending on type and frequency of use	

Inspecting the hitch arm, hitch connector and hitch

Inspect the hitch arm, hitch connector, hitch, Stroller Kit components and their respective attachment brackets regularly for damage. If a part is cracked, dented, bent or damaged in any way, the Croozer Dog may not be used with the respective part until it has been replaced or repaired. Have all damaged parts repaired or replaced immediately by a professional bicycle mechanic. Check that the axle hitch is securely fastened.

Inspect the fabric body

Check the fabric body and the cover regularly for damage. Small tears or holes can be repaired. In the case of irreparable damage, the fabric body should be replaced.

Inspecting and servicing the side wheels

The wheels should be checked for trueness on a regular basis and retued as necessary. An annual wheel inspection by a professional bicycle mechanic is usually sufficient.

Checking tyre pressure and treads

Check the tyre pressure before each use. The actual tyre pressure should never be higher or lower than the maximum and minimum inflation pressures marked on the tyre sidewall (1). Riding with under-inflated tyres can damage the tyres and rims. Over-inflation can cause the inner tube or tyre to explode. The inner tubes have Schrader valves, also known as car valves. You will need a pump with the appropriate nozzle. Never use compressed air, e.g. from a petrol station, to inflate your tyres. The rapid airflow and high pressure can over-inflate the tyres, causing the tube and/or tyre to burst.



WARNING!

Inspect the tyres periodically for adequate tread depth and any signs of damage or excessive wear. Worn-out or damaged tyres can affect the handling and even burst, which could result in accidents with serious injury or death.

Servicing the lock cylinder on the hitch connector

The lock cylinder may become stiff or difficult to turn after a while and should only be lubricated with penetrating oil or a special spray for cleaning and lubricating locks. Conventional chain oil or grease will collect dirt and “gum up” the lock cylinder. The lock cylinder should be serviced at least once a year,



Cleaning and lubricating the wheel axles

The side wheels are equipped with a special mechanism for easy attachment and removal. The retaining balls (1) and push-button pins (2) of the axles must be cleaned and lubricated on a regular basis.



WARNING!

The retaining balls (1) and push-button pins (2) of the axles must be cleaned and lubricated on a regular basis. Otherwise, a wheel could fall off while riding, resulting in accidents with serious injury or death.

1. Wipe off the axle with a clean cloth to remove dirt and grime.
2. If any dirt or grime remains around the push-button pin (2) or retaining balls (1), then clean them with a small brush or a clean cloth.
3. Lubricate these parts, and press the button (3) on the axle several times to distribute the lubricant evenly. The push-button pin and retaining balls must be able to move freely.
4. Use a clean cloth to wipe off any excess lubricant.

Tip: *The axle can be lubricated using a bicycle-chain lubricant.*



Inspecting the Croozer after an accident

If the Croozer Dog has been involved in an accident, it must be inspected by a professional bicycle mechanic before it can be used again. Even if there is no visible damage. Accidents can leave behind tiny, and often invisible, hairline cracks in critical components whose failure would adversely affect the safety of the vehicle.

Cleaning, Maintaining and Storing the Croozer Dog

How do I clean and maintain my Croozer Dog?

Fabric body, frame and metal parts

Clean the fabric body and all metal parts with water, a soap solution or a mild household detergent. Use biodegradable cleaning agents whenever possible to minimise environmental impact. A soft brush can be used to clean areas of heavy soiling.

Never use solvents, such as mineral spirits, or other aggressive chemicals, as these can damage or destroy the fabric or the metal parts. Never use pressure washers. The strong water pressure could damage the fabric or force water into the wheel bearings, shortening their service life.

To protect metal parts from corrosion, a thin coat of paste wax can be applied. Preserving metal parts with paste wax is especially important if you plan to use the Croozer Dog often in wet weather, in the winter or in coastal regions with salty air.

How do I store my Croozer Dog?

General information

Store your Croozer Dog, if possible, in a dry, warm and well-ventilated area. The minimum storage temperature is -20°C (-4°F); lower temperatures could cause the fabric to become brittle.

If you cannot store your Croozer Dog indoors, then use a waterproof cover to protect it from the rain.

Avoid long-term exposure to direct sunlight, which will fade the fabric over time.

If possible, avoid using the Croozer in salty air, e.g. near the sea, or during winter months on salted roads, as the salt can corrode metal parts. To protect these parts from corrosion, apply a thin coating of paste wax to all metal surfaces.

Long-term storage

If you will not be using your Croozer Dog for an extended period of time, for example over the winter months, then prepare the vehicle for storage as follows:

1. Clean the Croozer Dog thoroughly as described above.
2. Allow the Croozer Dog to dry completely, and apply paste wax to protect the metal parts from corrosion.
3. Store the Croozer Dog in a dry, dust-free and well-ventilated room. Cover the Croozer Dog with an appropriate sheet or tarp/tarpaulin.

NOTICE

To prevent mildew and mould growth, the Croozer Dog must be completely dry and clean before being put into storage.

Tip: *To save space, the Croozer Dog can also be stored in its folded state.*

4. Inner tubes will slowly lose pressure over time. Storing the Croozer Dog on flat tyres for an extended period of time could damage the tyres. Therefore, if you plan to store the Croozer Dog for several weeks or months, it should be either propped up with its wheels off the ground or hung from the wall or ceiling. Otherwise, be sure to check the tyre pressure periodically, and keep the tyres inflated.
5. Before using your Croozer Dog after a long period of storage, check that it is in perfect working order, and have it serviced by a professional bicycle mechanic.

Tip: *The fabric of the Croozer Dog body is not, in itself, an ideal medium for the growth of mould and mildew. Moulds feed off organic matter in the fabric, e.g. food residues, dirt etc., and grow best in warm, damp and humid conditions. Therefore, it is very important that you follow these storage guidelines to prevent mould growth. If you happen to find some mould or mildew on your Croozer Dog, it can be cleaned using a mild alcohol-based cleaning agent, 5% household vinegar or a 5% sodium bicarbonate solution. NEVER USE HARSH CHEMICAL FUNGICIDES. These chemicals are often highly toxic and could be very dangerous to your dog's health. For severe cases of mould or mildew, the fabric body must be replaced. Contact a Croozer dealer for assistance.*

Preparing the Croozer Dog for disposal

The Croozer Dog is extremely durable and robust. However, if the vehicle must be disposed of, e.g., owing to severe damage etc., then contact your Croozer dealer, who can help you dispose of the Croozer, or individual parts, in an environmentally sound manner. Furthermore, be sure to dispose of any worn parts, such as tyres, in an environmentally sound manner. When in doubt, consult a Croozer dealer.

Technical Data

	Dog Peppa	Dog Jokke	Dog Bruuno
Dimensions and Weight of Empty Chassis	see catalogue or www.croozer.com		
Maximum Weight of Loaded Trailer (Trailer + Dog)	50 kg (110 lb)	60 kg (132 lb)	
Maximum Weight of Dog*	35 kg (77 lb)	45 kg (100 lb)	45 kg (100 lb)
Maximum Height of Dog (Floor to top of head while standing)	62 cm (24 inch)	77 cm (30 inch)	87 cm (34 inch)
Maximum Length of Dog	85 cm (33 inch)	100 cm (40 inch)	115 cm (60 inch)
Maximum Speed with Trailer Maximum Speed with Stroller (accessory)	25 km/h (15 mph) 7 km/h (4.3 mph)		
Minimum Temperature for Use/Storage	-20°C (-4°F)		
Side Wheel/Tyre Size	16", 47- 305 (16 x 1¼ inch)	20", 47- 406 (20 x 1¼ inch)	
Recommended Tyre Pressure	Minimum and maximum values marked on tyre sidewall		
Valves	Schrader (car valve)		
* Weight limits only apply if the hitch-arm load is within the specified range of 3 to 11 kg (6.6 – 24.3 lb). See page 23.			

Tested for Safety

All Croozer Dog models are regularly tested and inspected, not only in our own facilities, but also by independent institutes, newspapers/magazines and testing laboratories.

To ensure compliance with all applicable standards, the Croozer Dog models are subject to numerous tests, such as extensive stress testing on the frame, hitch arm and other parts. Furthermore, the functionality of all systems, including the parking brakes and folding mechanisms, is thoroughly tested.

Materials tested for harmful substances

All materials are tested for harmful substances to achieve standards over and above the legal requirements.

We guarantee that your Croozer is a completely safe product that satisfies all current testing criteria.

For more information:
croozer.de/tested-plus



EU Declaration of Conformity

To enable the free movement of goods and services within the EU, there are a number of EU directives which set uniform, Europe-wide requirements for products:

e.g. the Machinery Directive, Pressure Equipment Directive, Toy Safety Directive and Medical Device Directive, just to name a few. Products that are subject to an EU directive must bear a CE marking to confirm that the product complies with the requirements imposed by the European Union. For some products, including bicycle trailers, there are no specific EU directives. As a result, these products have no CE marking and are not allowed to be labelled with one. However, these products are subject to the German Product Safety Act based on the European Directive 2001/95/EC.

Croozer GmbH confirms that the design and construction of all Croozer products placed on the market comply with the basic health and safety requirements laid down by the German Product Safety Act (ProdSG). The following harmonised standard has been applied:
DIN EN 15918 Cycles - Cycle trailers - Safety requirements and test methods.

Warranty

In addition to the statutory warranty under the contract of sale, Croozer GmbH, Cologne, extends to the end customer the following manufacturer's warranty for its "Croozer Dog" bicycle trailers, subject to the conditions set forth below.

Our warranty applies to defects in the materials or workmanship of the safety frame of our "Croozer Dog" bicycle trailers.

The safety frame is shown in dark grey in the illustration on the right.

The warranty for the safety frame runs for a period of **10 years** beginning on the date of original purchase of the respective bicycle trailer. The warranty period begins on the date of purchase.

Furthermore, starting with the 2018 model year of our "Croozer Dog" bicycle trailers, we also offer an extended manufacturer's warranty that applies to defects in the materials or workmanship of the cover, fabric body, parking brakes, bumper, handlebar, wheels, hitch arm and hitch. This warranty applies in addition to the statutory warranty. The warranty period for the aforementioned models and specified components is **3 years** from the date of original purchase of the respective bicycle trailer. The warranty period begins on the date of purchase.

What happens in the case of a warranty claim?

In the case of a warranty claim, Croozer will inspect the bicycle trailer and determine whether the claim is covered by the warranty.

If the claim is determined to be valid, then Croozer will, at its own discretion, repair the bicycle trailer, replace it with an equivalent product, reimburse the buyer for the purchase price or provide the buyer with a new Croozer bicycle trailer.



Dealers

What conditions must be met to make use of the warranty?

Warranty claims must be accompanied by the original sales receipt with the date of purchase, as well as the bicycle trailer.

This manufacturer's warranty covers only one customer. The "customer" is the natural person who owns the bicycle trailer. Persons who purchased the bicycle trailer in order to resell it or use it in the context of any commercial or self-employed professional activity are not considered the customer in the sense of this warranty.

Rights under consumer law

This coverage operates alongside and in addition to your statutory rights under consumer law (warranty and product liability). These statutory rights, which in some cases may be more favourable to you as the purchaser, are not affected by this warranty. In addition, our warranty does not affect your rights (as the customer) against the seller from whom you purchased the product.

Warranty exclusions

This warranty shall not apply to defects caused by improper assembly or installation, improper use, overloading or catastrophic damage which are not the fault of Croozer GmbH, nor does it extend to incidental or consequential damages.

Furthermore, it does not apply to defects caused by ordinary wear and tear or to cuts, tears, scratches or other damages that occur after delivery as a result of impacts, accidents or the chewing behaviour of the canine passenger.

The warranty shall not apply to Croozer bicycle trailers that have been improperly stored, improperly modified or cleaned with improper cleaning methods or agents.

The warranty shall also not apply to damages caused by repair work that was not authorised by Croozer GmbH.

NOTICE

Please read and observe the installation, assembly, usage, care and maintenance instructions provided in this owner's manual. Failure to observe these instructions could result in faulty operation, material damage and/or increased wear.

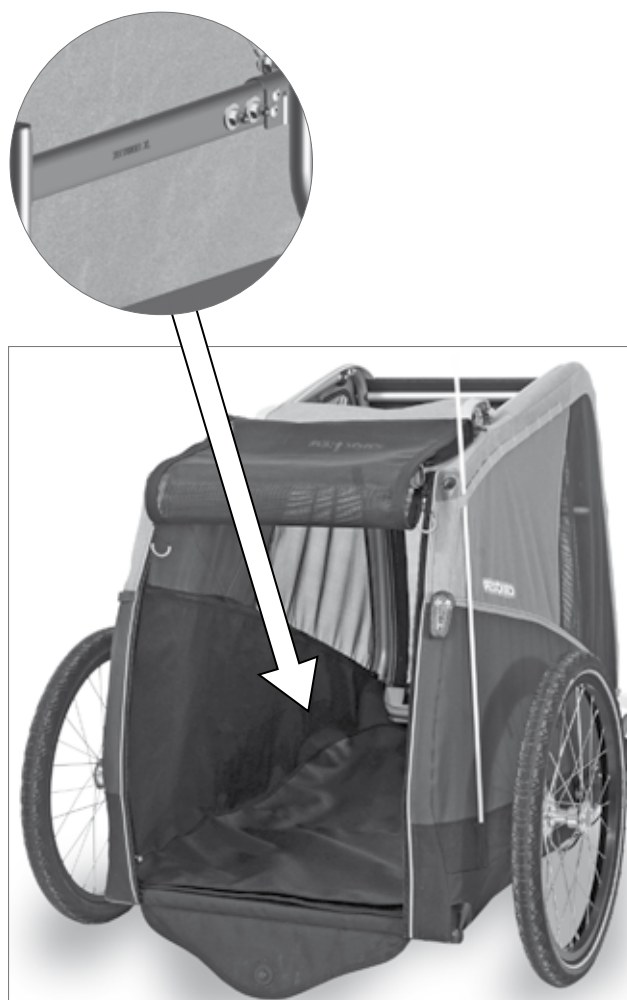
How to reach us in the case of a warranty claim

If you notice any issues with your Croozer, contact the dealer from whom you purchased your Croozer. The dealer will either help you directly or forward your claim to us. In order to process your claim, we – and/or your dealer – will need the original sales receipt, the serial number of your bicycle trailer and, in the case of a warranty claim, the Croozer bicycle trailer.

You can find the serial number on the frame inside the trailer by detaching the interior-protection insert on the left side.

Dealers

A list of authorised dealers in your area can be found on the Croozer website: www.croozer.com



Accessories

Several accessories are available for adding even more comfort and versatility to the Croozer. All accessories can be purchased from a Croozer dealer or the Croozer online shop: www.croozer.com.

Stroller Kit

for the Dog Peppa



for the Dog Jokka and Dog Bruno



Click & Crooz® Universal Hitch
for an additional towing bicycle



Click & Crooz® Axle Nut Hitch



Quick-Release Skewer
with integrated Click & Crooz®
hitch



Click & Crooz® Thru Axle Hitch
available in various lengths and thread sizes



Storage Cover
protects your Croozer from dust, dirt, rain and snow, wa-
terproof



Dog Bed
can be used inside and outside the trailer



WWW.CROOZER.COM

CROOZER GMBH
Oskar-Jäger-Str. 125
50825 Cologne
Germany

