

Owner's Manual

ENGLISH

**Croozer Kid for 1
Croozer Kid for 2**

**Croozer Kid Plus for 1
Croozer Kid Plus for 2**



CROOZER

IMPRINT

Publisher: Zwei plus zwei GmbH
Oskar-Jäger-Str. 125
D-50825 Cologne
Germany

Copyright © 2015 Zwei plus zwei GmbH. All rights reserved.
No part of this manual may be reproduced or transmitted in any form for any purpose other than the purchaser's personal use.

Additional manuals and instructions on the use of this vehicle and its accessories can be ordered from Zwei plus zwei GmbH or downloaded from the website www.croozer.com. Every effort has been made to ensure the accuracy of this manual. However, if you do find an error, we would appreciate hearing about it so that we can correct it.

Planning, text, graphic design and editing:
W. Piontek, www.technik-transparent.de

Photos: W. Piontek and Zwei plus zwei GmbH

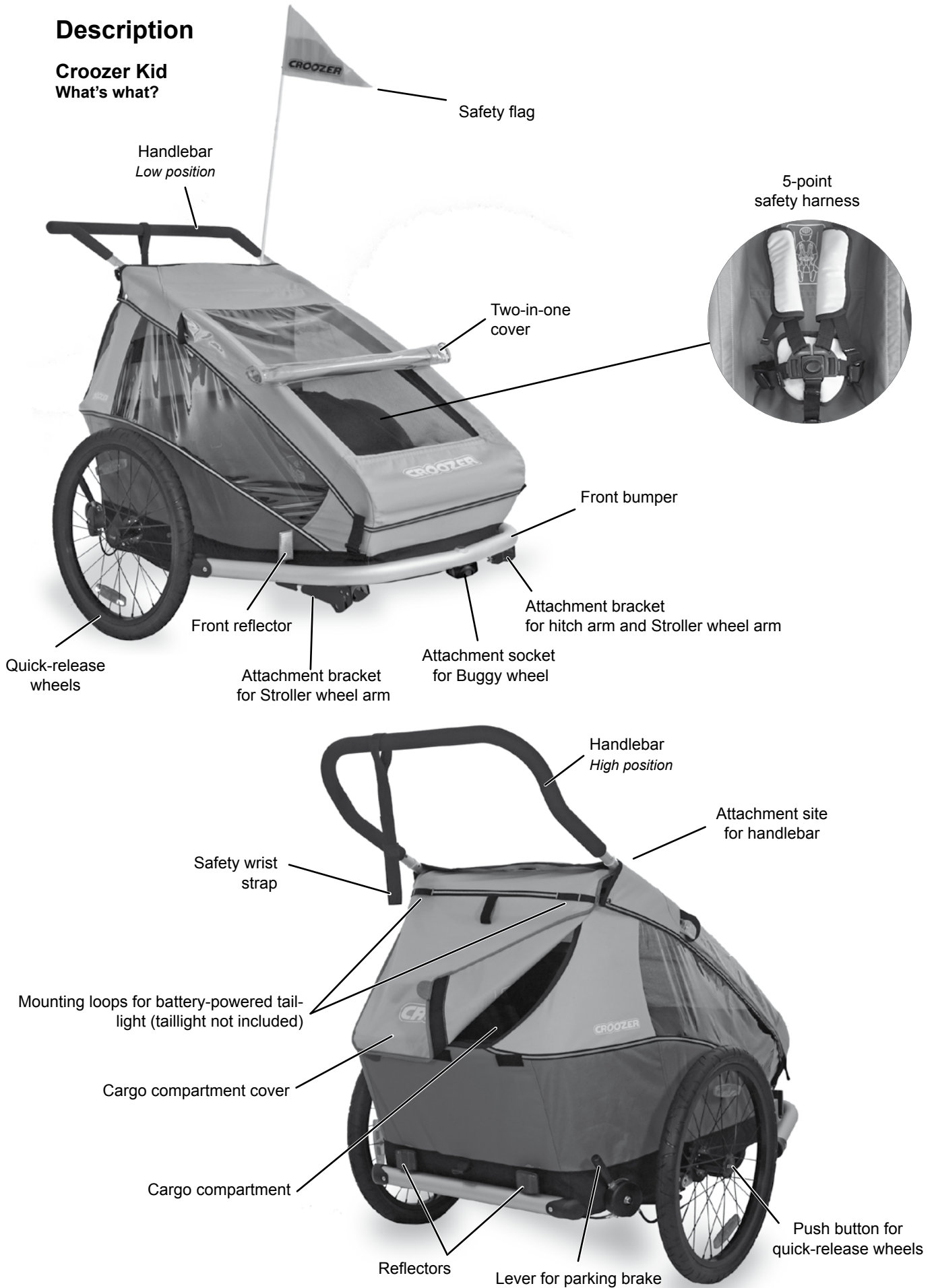
Table of Contents

Description 2	Adjusting the safety harness	30
Croozer Kid.	2	Adjusting the head pads to the child's height	30
Croozer Kid Plus	4	Transporting cargo	31
What are the Croozer Kid and Croozer Kid Plus?	6	Using a lighting system.	34
How should the Croozer Kid and Croozer Kid Plus be used?	6	Special features of the Croozer Kid Plus suspension system	35
How shouldn't the Croozer Kid and Croozer Kid Plus be used?	6	Special considerations when riding with the Bicycle Trailer	35
Orientation and wording	6	Special considerations when using the Buggy.	37
Applicable standards	6	Special considerations when using the Stroller	38
Safety Guidelines 7	Transporting your Croozer	40
Symbols and warnings	7	Croozer Inspections and Maintenance . 41	
Read and observe this manual.	7	Inspection intervals	41
Who can ride in the Croozer Kid and Croozer Kid Plus?	7	Service intervals	41
Who can ride the towing bicycle?	7	Inspecting the hitch arm, hitch connector, Stroller-Kit components and Buggy wheel	42
Requirements for the towing bicycle	7	Inspecting the fabric body	42
Legal requirements for transporting children.	8	Inspecting and servicing the wheels	42
Before your first ride...	8	Checking tyre pressure and treads.	42
Pulling the Croozer as a Bicycle Trailer	8	Cleaning and lubricating the wheel axles	43
Using the Croozer as a fixed-wheel Stroller	9	Inspecting the Croozer after an accident.	43
Storage and transport	9	Cleaning, Maintaining and Storing the Croozer	44
Assembly, maintenance and repair	9	How do I clean and maintain my Croozer?.	44
Initial Assembly and Unfolding the Croozer	10	How do I store my Croozer?	44
Checking package contents	10	Preparing the Croozer for disposal.	45
Unfolding the Croozer	11	Technical Data	46
Installing the bumper and reflectors	12	Accessories	47
Checking and Adjusting the Parking Brakes of the Croozer Kid.	14	Warranty	48
Checking and Adjusting the Parking Brakes of the Croozer Kid Plus	15	Servicing and Warranty Claims	48
Attaching and removing the wheels	16	Distributors	48
Installing and removing the handlebar, lighting system and safety wrist strap	17		
Converting the Croozer to a Bicycle Trailer	18		
Installing and removing the hitch arm	18		
Installing the axle hitch to the towing bicycle.	19		
Installing the safety flag	22		
Converting the Croozer to a Buggy	23		
Installing the Buggy wheel	23		
Converting the Croozer to a Stroller.	24		
Attaching the wheel arms	24		
Installing the Stroller wheel.	25		
Using the safety wrist strap	26		
Using your Croozer	27		
Engaging and disengaging the parking brake	27		
Opening and closing the cover.	28		
Loading and unloading passengers	28		
Fastening and unfastening the safety harness.	29		

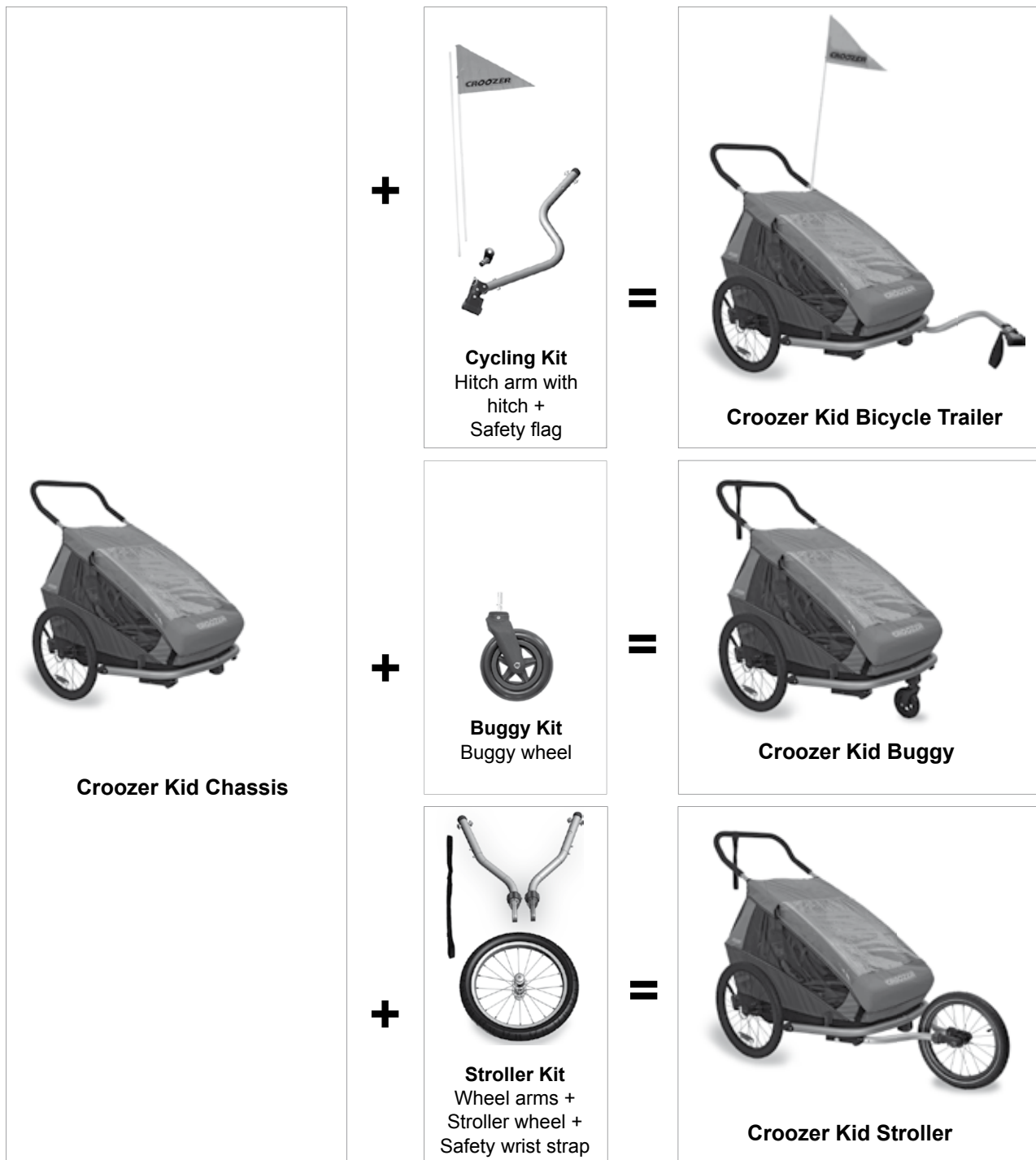
Description

Description

Croozier Kid What's what?



3-in-1 System



Fastening Systems

Click & Crooz fastening system
simply insert, automatic locking, press button for removal

for hitch connector



for handlebar



for Buggy wheel



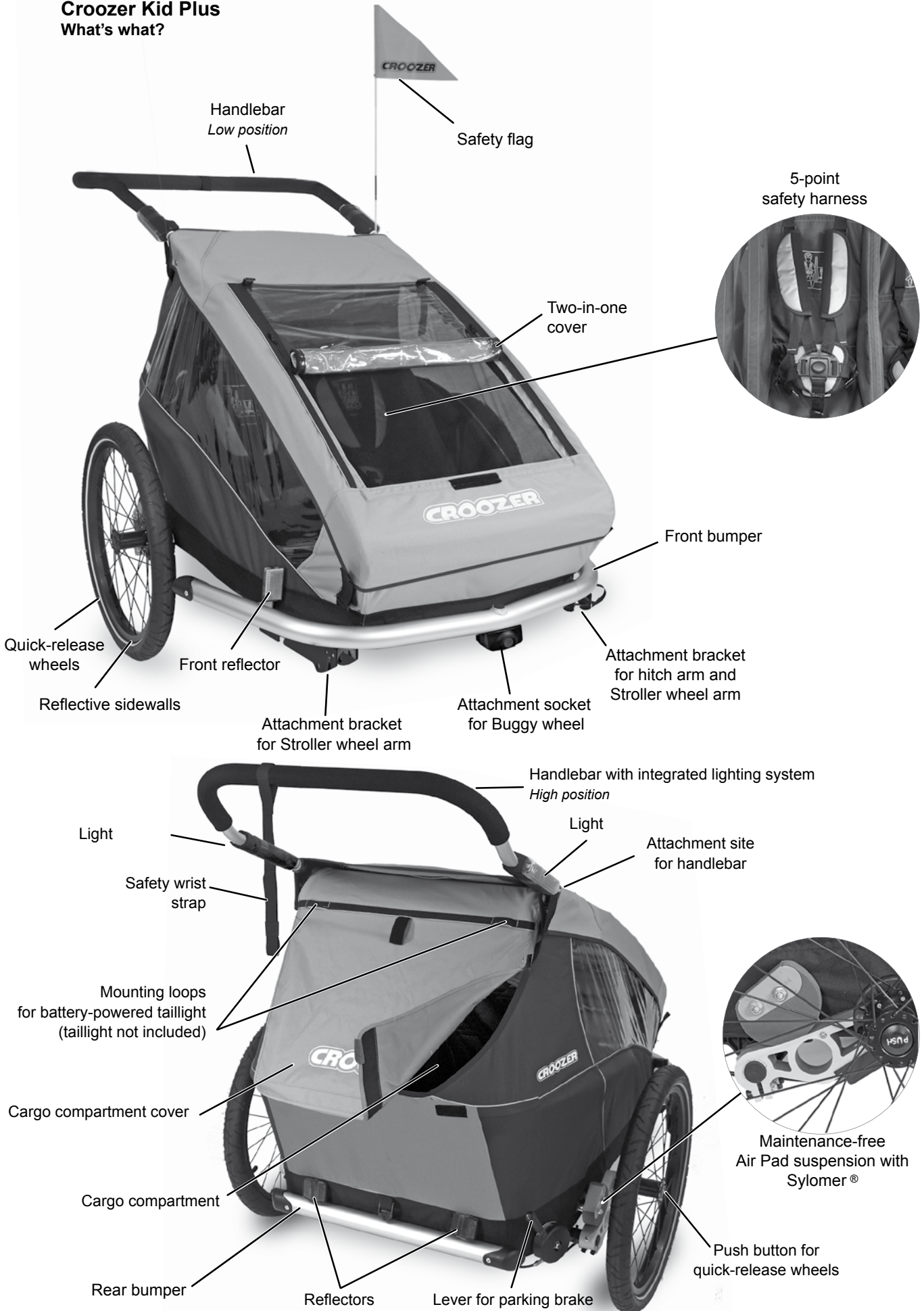
Ball lock pin (magnetic)

on attachment brackets for hitch arm and Stroller wheel arms

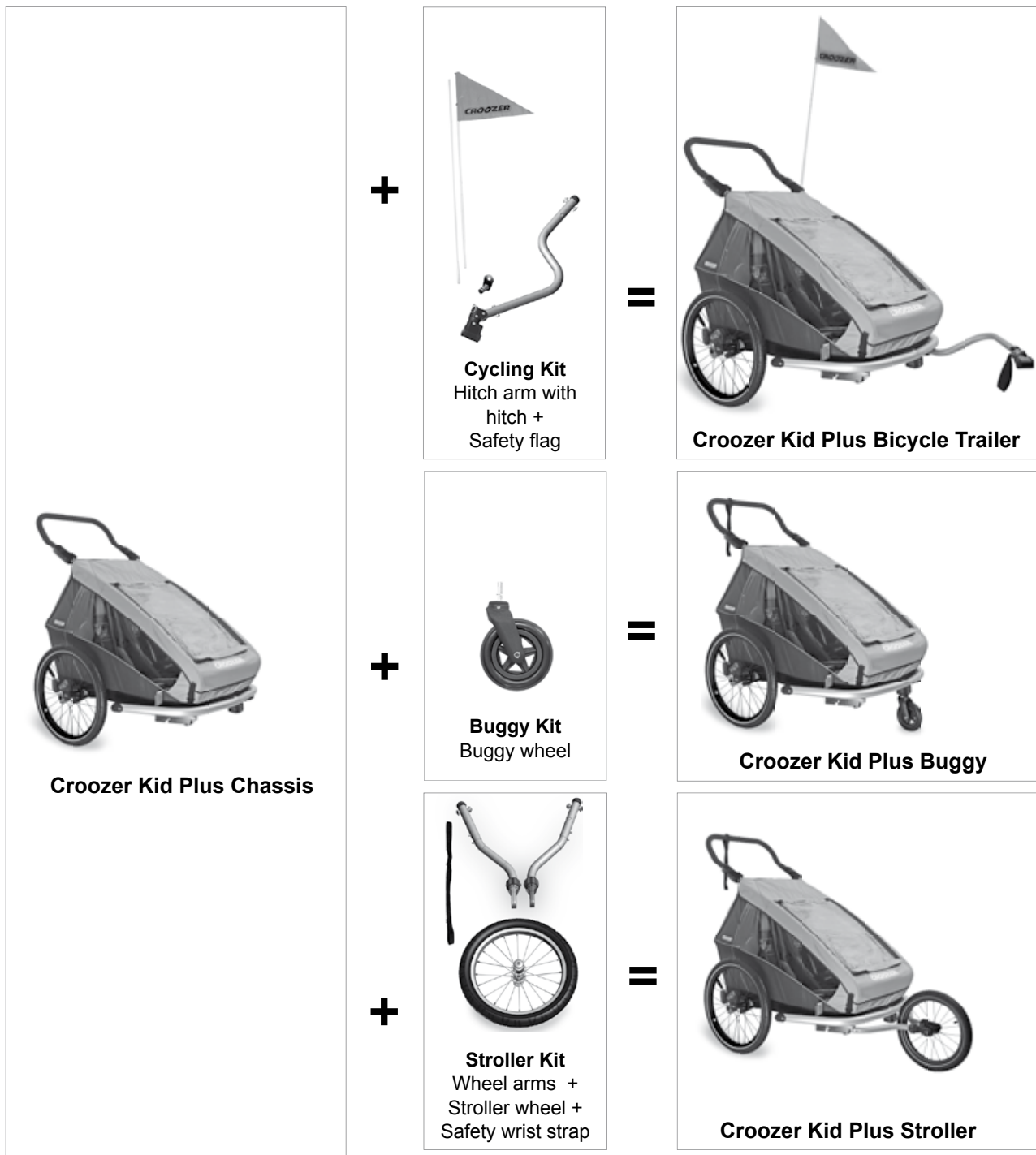


Description

Croozer Kid Plus What's what?



3-in-1 System



Fastening Systems

Click & Crooz fastening system
simply insert, automatic locking, press button for removal

for hitch connector

for handlebar

for Buggy wheel

Ball lock pin (magnetic)

on attachment brackets for hitch arm and Stroller wheel arms

Description

What are the Croozer Kid and Croozer Kid Plus?

The Croozer Kid and Croozer Kid Plus are vehicles for transporting children. They consist of a chassis that can be quickly and easily converted to a Bicycle Trailer, a swivel-wheel Buggy or a fixed-wheel Stroller. No longer will you need a fleet of vehicles because, with the Croozer, you can take your child on a bike ride, a walk in the park or a trek through the countryside. It can even be used as a fixed-wheel sport stroller for walking.

How should the Croozer Kid and Croozer Kid Plus be used?

The Croozer is intended for private use for carrying children in daylight hours on roads and other smooth, well-surfaced paths as a Bicycle Trailer, a swivel-wheel Buggy or a fixed-wheel Stroller. The instructions and safety guidelines provided in this manual must be followed at all times. Only children who are able to sit upright unassisted and are within the specified age range should ride in the Croozer Kid or Croozer Kid Plus. If a child is unable to sit upright unassisted, the Croozer Infant Sling must be used. Be sure to secure all cargo and take-along items in the designated pockets and compartments and observe the weight limits specified in the table below. It is vitally important that all cargo be secured to prevent it from shifting while the vehicle is in use. It is the user's responsibility to ensure that the transported cargo does not compromise the safety of the passengers.

Maximum Load* (Passengers + Cargo)	
Croozer Kid/Kid Plus for 1	77 lbs (35 kg), max. 1 child 100 lbs (45 kg), max. 2 children
Croozer Kid/Kid Plus for 2	
Of which in rear cargo compartment	max. 11 lbs (5 kg)
Of which in Handlebar Console (accessory)	max. 4.4 lbs (2 kg)
Minimum Age of Passengers	
Without Infant Sling	6 months (if the child can sit upright unassisted)
With Infant Sling (accessory)	1 month
Maximum Age of Passengers	
Without Infant Sling	6 years
With Infant Sling (accessory)	10 months
Maximum Height of Passengers	46 inch (117 cm)
Hitch-arm Load (Nose Weight)	6.6 to 17.6 lbs (3–8 kg)
* Weight limits only apply if the hitch-arm load is within the specified range of 6.6 to 17.6 lbs (3–8 kg). See page 31.	

When in use as a Bicycle Trailer in poor visibility conditions or at night, dusk or dawn, the Croozer must be equipped with a lighting system that complies with the applicable laws and regulations in the country of use. The handlebar of the Croozer Kid Plus comes with an integrated lighting system. The handlebar of the Croozer Kid can be retrofitted with a lighting system. Any spare parts or accessories used for either Croozer model must be approved by Zwei plus zwei GmbH and properly installed, ideally by a professional bicycle mechanic.

How shouldn't the Croozer Kid and Croozer Kid Plus be used?

The Croozer Kid and Croozer Kid Plus may not be used in any manner other than as specified above. Never transport animals together with children in the Croozer. Never use the Croozer as a cargo trailer. Never use the Stroller or Buggy for jogging or skating. Commercial use, overloading, excessive speeds, improper repairs and use on unsurfaced roads or paths are not permitted. Never install a car seat or other seating device not approved by Zwei plus zwei GmbH. Never use the handlebar for carrying loads, such as children's vehicles or bags (other than the Handlebar Console available as an accessory).

Never pull the Croozer with a motorised vehicle, such as a moped or scooter. This also applies to motorised bicycles with a maximum speed of more than 15 mph (25 km/h). Do not mount the hitch to a bicycle with a rear-wheel hub motor, unless this modification is approved by the manufacturer. Zwei plus zwei GmbH will not be liable for any damages resulting from non-compliance with these requirements.

Orientation and wording

Unless otherwise indicated, the terms "right" and "left" in this manual refer to the passenger's right or left when seated in the Croozer, facing forward (i.e. relative to the direction of travel).

For simplicity, this manual generally refers to the child or passenger in singular form. It is understood, however, that the Croozer Kid and Croozer Kid Plus for 2 will be carrying up to two children, and the Croozer Kid and Croozer Kid Plus for 1, one child.

This Owner's Manual is intended for use with both the Croozer Kid and Croozer Kid Plus. In sections that apply equally to both models, the name "Croozer" is used for simplicity, and the Croozer Kid Plus is pictured in the respective illustrations. In sections where the two models differ, the instructions and/or information for both models are given separately and marked as follows:

Croozer Kid

Croozer Kid Plus

For the sake of clarity, the Croozer two-seater is shown in most of the photos and graphics used in this manual. However, all descriptions and instructions also apply to the single-seater version.

Applicable standards

The following standards were taken into consideration: EN 15918:2011 and A1: 2013, EN 1888:2012

Safety Guidelines

Symbols and warnings



DANGER!

DANGER indicates a hazardous situation which, if not avoided, will result in death or serious injury.



WARNING!

WARNING indicates a hazardous situation which, if not avoided, could result in death or serious injury.



CAUTION!

CAUTION indicates a hazardous situation which, if not avoided, could result in minor or moderate injury.

NOTICE

NOTICE indicates a situation which, if not avoided, could result in damage to the Croozer or the environment.

Tip: *In this manual, "Tip" indicates helpful advice about the use or maintenance of the Croozer.*

Read and observe this manual

This manual contains information that is extremely important for the safe transport of your child. Therefore, it is essential that you read the entire manual carefully and follow the instructions closely. If you should experience difficulties understanding any of the information or instructions, please contact your Croozer dealer. Keep this manual handy at all times for future reference. If you loan or sell your Croozer, pass on this manual to the new user. It is also vitally important that you read and observe the instructions provided in the manual of the towing bicycle.

Who can ride in the Croozer Kid and Croozer Kid Plus?

The Croozer can transport children from approx. 6 months to approx. 6 years of age, with a maximum height of 46 inches (117 cm). All child passengers must be able to sit upright unassisted. Children who are not able to sit upright without support do not have fully developed muscles and could therefore experience injury when riding in the Croozer. These children may only be transported in the Croozer Infant Sling, which is available as an optional accessory. The Croozer Kid and Croozer Kid Plus for 2 can carry one or two children, and the Croozer Kid and Croozer Kid Plus for 1, only one child.

Who can ride the towing bicycle?

The minimum age for the rider of the towing bicycle in most countries of the EU is 16 years.

In case of doubt, be sure to familiarise yourself with the legal requirements of the country in which you plan to use the Croozer.

Requirements for the towing bicycle

The towing bicycle must be approved by its manufacturer for pulling a trailer. This information can be found in the owner's manual of the bicycle. Furthermore, the towing bicycle must be in perfect working order and have strong, properly functioning brakes. The rear wheel of the towing bicycle must be equipped with an effective mudguard with mud flap. Otherwise, the passenger could be injured by stones and other debris thrown up from the road. Motorised vehicles may not be used for pulling bicycle trailers. The only exception to this rule is a pedelec. This special type of e-bike has an electric motor that delivers assist only when the rider pedals. In many countries, pedelecs are legally classified as bicycles. However, e-bikes with a maximum speed of more than 15 mph (25 km/h) may not be used for pulling the trailer. The towing bicycle should be equipped with a sturdy rear-mount kickstand to ensure safety when passengers are getting in and out of the trailer.

Be sure to familiarise yourself with the legal requirements for towing bicycles in the country or region where you plan to use the Croozer.

The towing bicycle must have a 26" to 29" (559 to 635-mm) rear wheel. This information can be found on the tyre sidewalls. The numbers 42-622, for example, indicate that the tyre has a width of 42 mm and a bead-seat diameter of 622 mm (28 inches).

Legal requirements for transporting children

Be sure to observe all laws that apply to the transport of children in child trailers. Some countries prohibit the transport of children in child trailers, and others prescribe certain age limits. In case of doubt, be sure to familiarise yourself with the legal requirements of the country or region where you plan to use the Croozer.

Before your first ride...

It is vitally important that you familiarise yourself with the Croozer before you use it for transporting children. Prior to your first outing with passengers, Zwei plus zwei GmbH recommends that you practice towing the trailer (without passengers) in a calm, traffic-free area; load the trailer with cargo of approximately the same weight as the child or children you will be towing, for example, by strapping a loaded rucksack into the child seat. This is a great way to acquaint yourself with the handling of the bicycle and the dimensions of the trailer.

Buckle up!

Children riding in the Croozer must be strapped into the safety harnesses at all times. Follow the instructions provided in this manual for adjusting and fastening the safety harnesses correctly. Children who are not properly secured in a safety harness could sustain life-threatening injuries in the case of accidents or sudden stops.

Adult supervision

Never leave children in the Croozer unattended. It is the adult's responsibility to ensure that the ventilation and temperature conditions in the Croozer are safe and comfortable for the child at all times. Check on the child's well-being frequently.

Keep handlebar attached

Leave the handlebar attached to the Croozer at all times. In the event of an accident, it acts as a roll bar, protecting the passengers.

Crushing hazard

When folding and unfolding the Croozer, keep fingers and hands clear of all possible pinch points (e.g. movable frame parts and locking mechanisms).

Pulling the Croozer as a Bicycle Trailer

Before each ride, check the following:

- Are the wheels securely attached?
- Are the locking mechanisms on both vertical frame tubes securely engaged?
- Are all attached components correctly inserted and secured (i.e. the respective fastening/locking mechanisms engaged)? Check that none of the security pins are hanging freely from their straps.
- Are the tyres inflated to the recommended pressure? The tyre pressure should never be higher or lower than the maximum and minimum inflation pressures marked on the tyre sidewall. (See also page 42.) Never use compressed air, e.g. from a petrol station, to fill your tyres. The quick flow and high pressure can overinflate the tyres, causing the tube and/or tyre to burst.

Using the parking brake

When loading or unloading children, or when passengers are getting into or out of the trailer, the parking brake of the Croozer must be engaged to prevent unintentional rolling.

Turning

Always reduce your speed to a walking pace when making turns with the Bicycle Trailer. Keep in mind that riding speed is often underestimated, especially on bikes with electric assist. When turning at high speeds, the increased centrifugal force can cause the trailer to skid or tip over and result in accidents with serious injury or death.

Riding downhill

Always reduce your speed when riding downhill. Riding at excessive speeds can cause the trailer to skid, which can result in accidents with serious injury or death.

Riding over kerbs or uneven surfaces

Riding over a kerb or other obstacle with only one wheel of the trailer could cause the trailer to tip over, resulting in accidents with serious injury or death. Empty trailers are especially susceptible to tipping. Therefore, if you have to ride over a kerb or similar obstruction, always use extreme caution and ride at very low speeds. Never use the Croozer on stairs or escalators.

Risk of injury from rotating parts

Always make sure that the child cannot reach the wheels of the Croozer or the rear wheel of the towing bicycle. Touching wheels that are in motion could result in serious injuries.

Close the cover

When riding with the trailer, always close the mesh and/or plastic windows at the front of the cover in order to protect the passenger from flying insects or small stones thrown up from the rear wheel of the towing bicycle, which can result in serious injuries for the passengers. The Croozer's plastic windows and fabric cover offer only minimal protection against UV rays. Take the same precautions as you would outdoors to protect your child's skin from the harmful rays of the sun.

Being visible to others

Never use your Croozer as a Bicycle Trailer in road traffic without the safety flag mounted. The safety flag makes it easier for other road users to see you.

Carrying cargo

Never transport cargo items together with children on the seat or in the foot area. Cargo must be well secured in the rear cargo compartment to ensure that it cannot shift during transport. Loose cargo and overloading can change the handling of the Croozer, making the vehicle more difficult to control. Furthermore, cargo items can fall against the seatback and injure the passenger. Never transport animals together with children in the Croozer.

Never use the handlebar for carrying loads, such as children's vehicles or bags (other than the Handlebar Console available as an accessory). Cargo attached to the outside of the Croozer can drastically affect its handling and stability, potentially resulting in accidents with serious injury or death.

Using the safety wrist strap

The safety wrist strap required when using the Buggy or fixed-wheel Stroller should never be removed from the handlebar. When using the vehicle as a Bicycle Trailer, the safety wrist strap should hang inside the trailer, beneath the cargo compartment cover.

Using the Croozer as a fixed-wheel Stroller

The Croozer with the Stroller Kit installed is considered a walking stroller and is not approved for jogging or skating. Although the standard vehicle comes equipped with a Stroller Kit and meets all safety standards, we are required to provide this warning because there are factors other than the vehicle itself that may constitute a hazard.

Storage and transport

Never transport the Croozer – even when folded – on the roof of a motor vehicle.

Never use or store the Croozer at temperatures below –4°F (–20°C). Temperature extremes can cause the plastic windows to become brittle.

Assembly, maintenance and repair**Purchased condition and initial assembly**

If you have purchased the Croozer from a shop, the retailer should have installed the front bumper and reflectors. If you ordered your Croozer from an online or mail-order catalogue, we recommend having the initial assembly performed by a professional bicycle mechanic. Furthermore, dealers are required to provide their customers with all important information on the use of the Croozer. To find an authorised dealer in your area, visit the Croozer website at www.croozer.com.

Technical condition

Never use the Croozer if it is not in perfect working order. The Croozer must be periodically inspected for damage and/or wear to the wheels, hitch arm, hitch connector, frame, fabric body, fastening/locking mechanisms, safety harnesses and the components of the Stroller and Buggy Kits. If any of these parts are found to be damaged, the Croozer may not be used until the damage has been properly repaired, ideally by a professional bicycle mechanic. It is critical that all maintenance work specified in the section “Croozer Inspections and Maintenance” be performed in the specified intervals.

Using the Croozer when it is not in perfect working order can result in accidents with serious injury or death.

Proper installation and repair

The Croozer must be properly assembled to professional standards. Be sure to follow the assembly instructions in this manual. When in doubt, contact your Croozer dealer. All repairs must be carried out to professional standards using only original Croozer parts, ideally by a professional bicycle mechanic. Incorrect installation or repair work could result in accidents with serious injury or death.

Suitable accessories and original spare parts

Use only original spare parts and accessories that have been recommended and approved by Zwei plus zwei GmbH. These are the only components that can be used safely with the Croozer. When in doubt, consult a Croozer dealer. The use of non-approved accessories or incompatible spare parts could result in accidents with serious injury or death. Zwei plus zwei GmbH cannot be held responsible for any damage resulting from the use of non-approved accessories or incompatible spare parts.

Changes and modifications

For safety reasons, no modifications or changes can be made to the Croozer.

Do not use add-on components, such as luggage racks etc. Do not use a car seat or any type of seat or seat support that has not been approved by Zwei plus zwei GmbH. Do not install electric drive systems. Making modifications or changes to your Croozer can result in accidents with serious injury or death. Furthermore, changes or modifications will void any warranty claims. Zwei plus zwei GmbH will not be liable for damages of any kind resulting from changes or modifications that have been made to the Croozer.

Initial Assembly and Unfolding the Croozer

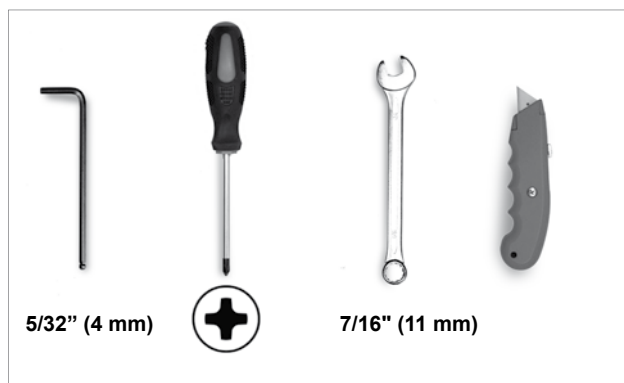
If you have purchased the Croozer from a shop, the retailer should have installed the front bumper and front reflectors and sold the Croozer "ready to use". If you ordered your Croozer from an online or mail-order catalogue, we recommend having the initial assembly performed by a professional bicycle mechanic. Furthermore, dealers are required to provide their customers with all important information on the use of the Croozer. If the initial assembly has been performed, you can skip the first few steps of this section.

If your Croozer was not assembled prior to sale, then have the initial assembly performed by a professional bicycle mechanic or follow the assembly instructions below. Various tools are required for the assembly.



WARNING!

The Croozer must be properly assembled to professional standards. Improperly installed parts could cause accidents with serious injury or death.

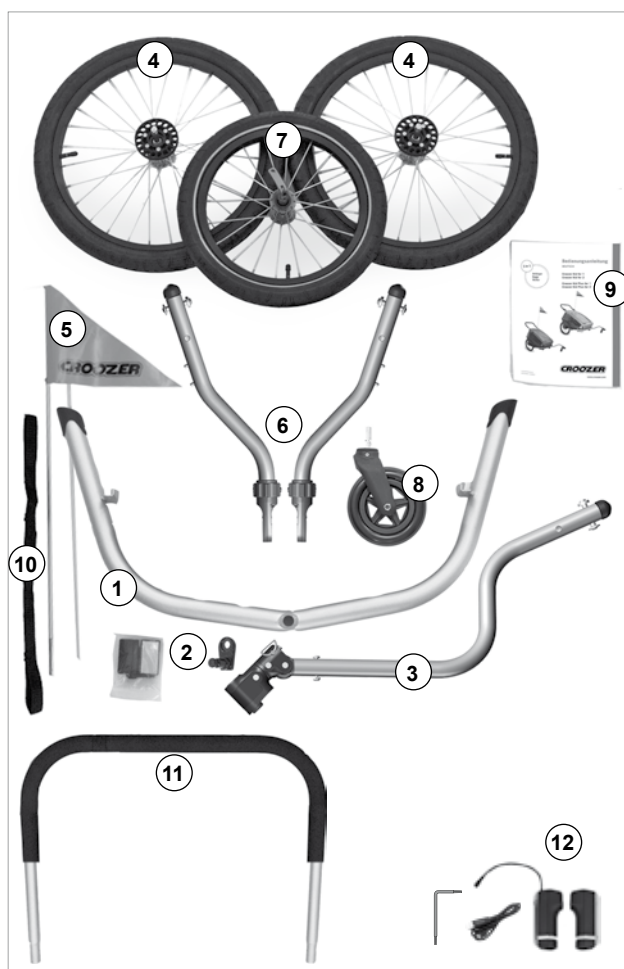


Checking package contents

The Croozer is packaged in a box for shipment. In order to minimise package size, the Croozer is shipped in its folded state. All of the parts that can be removed for shipment are enclosed. The front bumper and front reflectors are also shipped unattached.

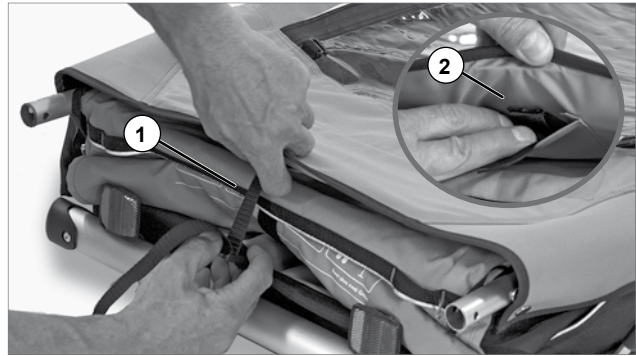
1. Remove all packaging materials from the Croozer and from individual parts. Recycle all packaging materials if possible. It may be wise to keep the box, e.g. for storage or later transport.
2. Using a knife or a pair of scissors, cut the two cable ties with which the frame of the Croozer is secured.
3. Remove all individual parts from inside the Croozer.

These parts include the front bumper (1), a package containing the front reflectors, mounting hardware and an additional axle hitch (2), a lockable hitch arm with three keys and an axle hitch (3), two side wheels (4), a safety flag (5), two Stroller wheel arms (6), a Stroller wheel (7), a Buggy wheel (8), this owner's manual (9), a wrist strap (10) and a handlebar (11). In addition, the Croozer Kid Plus comes with an original Croozer lighting system for the handlebar (12) with a separate instruction manual. Unfold the Croozer before mounting these parts.

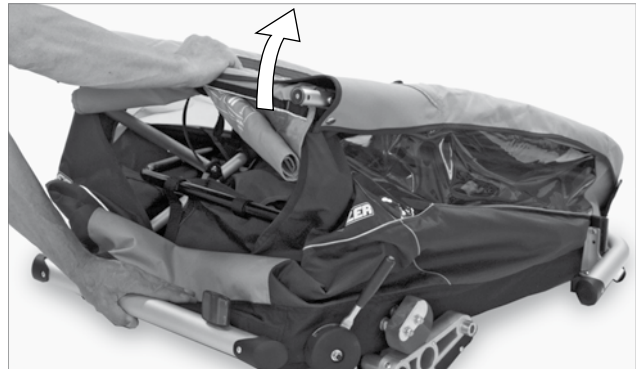


Unfolding the Croozer

1. Unbuckle the transport safety strap (1) at the rear of the Croozer.
2. Tuck the strap (2) into the special strap-storage pocket under the cover.



3. Brace the lower part of the Croozer frame with one hand while using your other hand to lift the top part of the frame.



4. Holding the upper frame tube in the raised position, pull the seat frame slowly and carefully back and towards you until the locking pins (4) of both locking mechanisms (3) engage with audible clicks in the holes (5) of the frame tubes.



CAUTION!

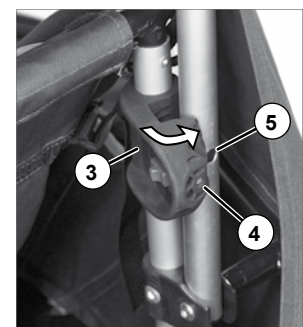
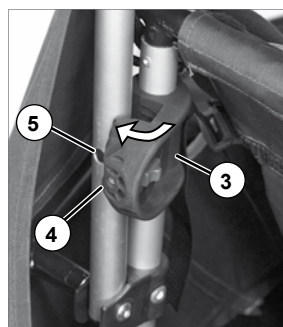
RISK OF PINCHING OR CRUSHING! There are pinch points between the seat frame and Croozer frame, as well as in the locking mechanism, that may cause painful injuries. Use caution to avoid these points when folding or unfolding the frame.

NOTICE

In order to avoid damaging the frame tubes and locking mechanisms, please use caution and slow movements when pulling back the seat frame.

Tip: A new Croozer will be slightly more difficult to unfold because the canvas is still stiff.

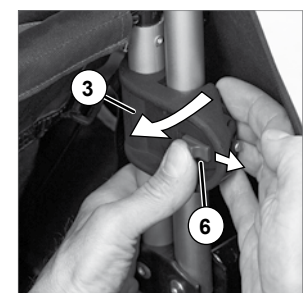
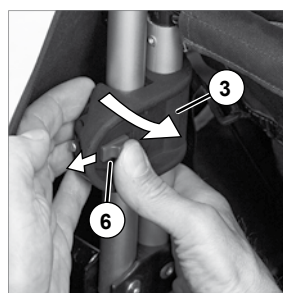
5. Check to make sure that both locking mechanisms are securely engaged. There should be no movement in the seat frame when you press against it.



WARNING!

If the locking mechanisms are not properly engaged, the frame of the Croozer could collapse while riding, potentially resulting in serious injuries for the passenger(s).

6. To fold the Croozer, follow the above steps in the reverse order. Begin by pushing the red slide buttons (6) on both locking mechanisms (3) towards the rear of the trailer and pulling the two locking mechanisms inwards, away from the frame tubes.



Initial Assembly and Unfolding the Croozer

Installing the bumper and reflectors

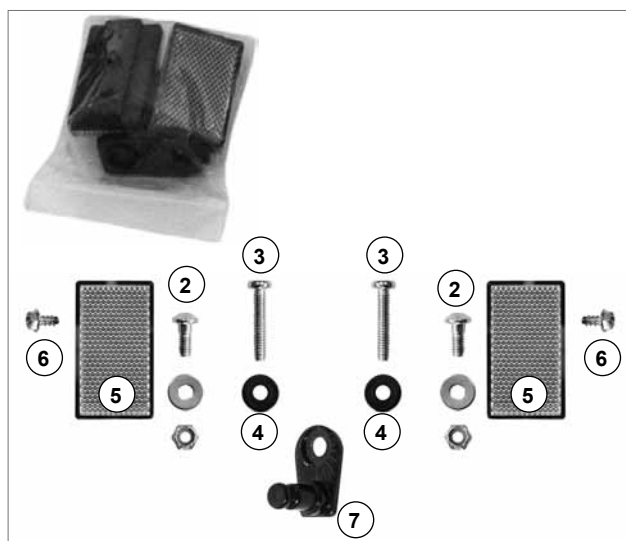
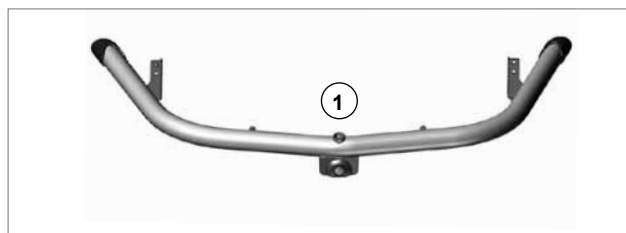
Because packaging size is limited, the bumper and front reflectors of the Croozer are shipped unattached. These parts are included in the scope of delivery and must be properly installed.

Box contents

The box with your Croozer should contain the following items:

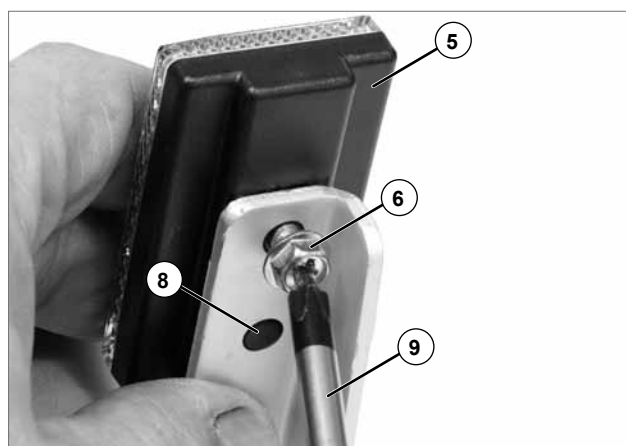
- bumper (1)
- a package containing two short $\frac{1}{4}$ " Allen bolts with washers and locknuts (2), two long $\frac{1}{4}$ " Allen bolts (3) with rubber washers (4), two front reflectors (5) with bolts (6) and a second axle hitch (7), which can be mounted to a second towing bicycle.

For the installation of the reflectors and bumper, the following tools are required: a $7/16$ " (11mm) open-end spanner/wrench, a Phillips screwdriver and a $5/32$ " (4mm) Allen key.



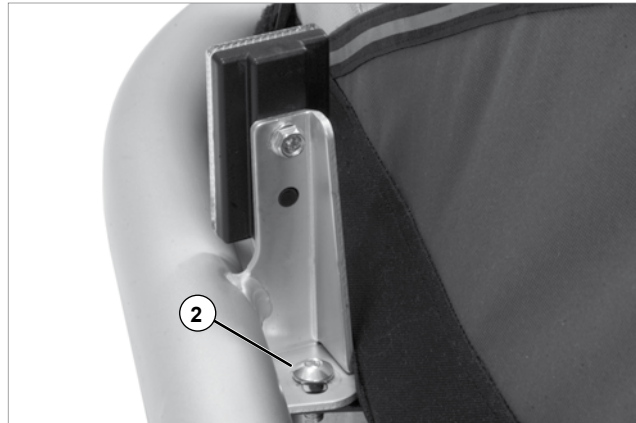
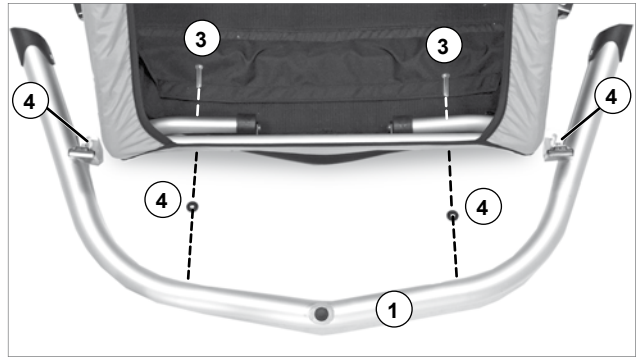
Mounting the front reflectors

1. Hold the first reflector (5) against the mounting plate on the front bumper, positioning it so that the pin (8) on the back of the reflector fits through the lower hole of the mounting plate.
2. Insert one of the reflector bolts (6) through the upper hole of the mounting plate, and fasten the reflector (5) by tightening the bolt with a Phillips screwdriver (9).
3. Repeat steps 1 and 2 to attach the second front reflector to the other mounting plate on the bumper.



Mounting the bumper

1. Insert the two long Allen bolts (3) from inside through the holes in the front frame tube of the Croozer.
2. Slide the rubber washers (4) over the ends of the Allen bolts protruding through the front of the frame tube.
3. Place the bumper (1) onto the mounting plates on the sides of the frame, lining up the holes.
4. Screw the two long Allen bolts (3) into the threaded holes of the bumper (1), tightening lightly at first.
5. Insert one of the short Allen bolts (2) through the aligned holes of the bumper (1) and the mounting plate.
6. Place a washer and locknut from below onto the end of the bolt, and tighten the nut lightly at first.
7. Repeat these steps to attach the other side of the bumper (1).
8. Adjust the position of the bumper (1) as necessary to ensure that it is even and level; then tighten all bolts, using a 5/32" (4mm) Allen key and a 7/16" (11mm) open-end spanner/wrench.



Initial Assembly and Unfolding the Croozer

Croozer Kid

Checking and Adjusting the Parking Brakes of the Croozer Kid

To ensure that the parking brakes are in perfect working order, they must be checked and, if necessary, adjusted.

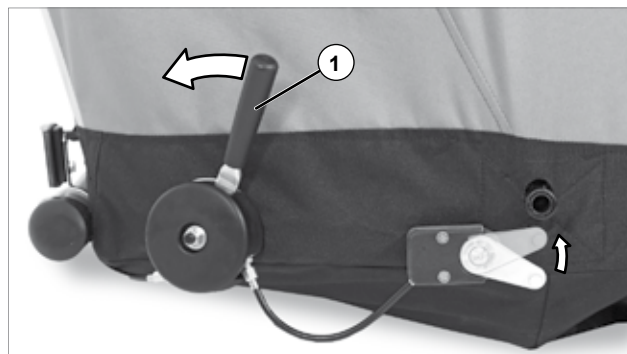


WARNING!

The parking brakes must be correctly adjusted! If the parking brakes have not been correctly adjusted, the parked Croozer could roll away unexpectedly, resulting in accidents with serious injuries or death.

1. Pull back the brake lever (1) as far as it will go. The brake pins (2 and 4) on both sides of the Croozer will move upwards and engage in the locking plates (6) on the side wheels. For a better view of the parking-brake mechanism, the photo on the right shows the Croozer with the side wheel removed.

Tip: *It might be necessary to roll the Croozer an inch or two forwards or backwards so that the brake pins can engage in the locking plates.*

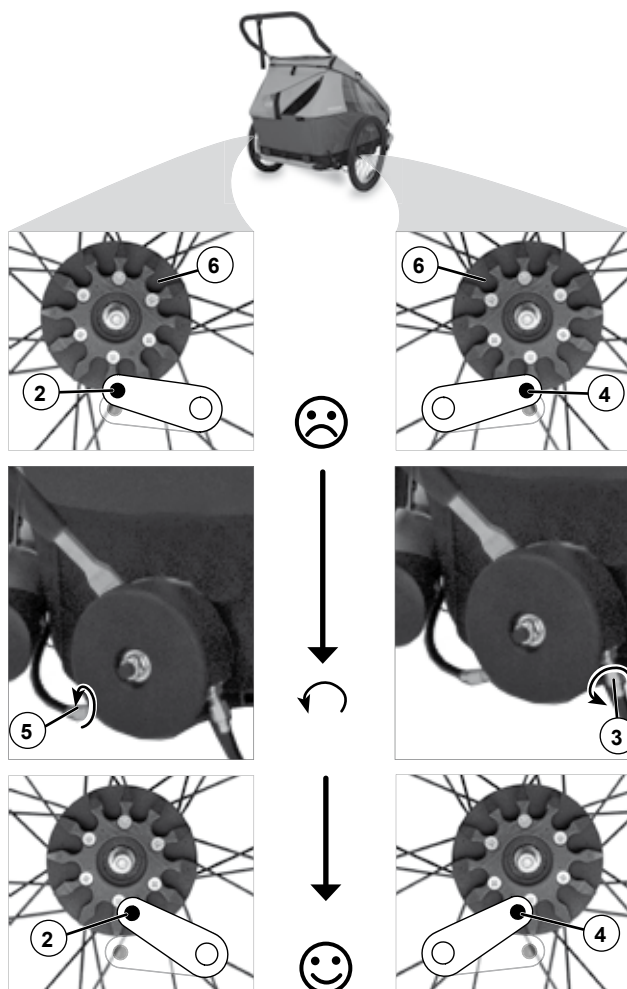


2. If the brake pins (2 and 4) on one or both sides of the Croozer fail to engage fully in the locking plate(s) (6) on the side wheels, then adjustment is necessary.

3. If the brake pin (2) on the left side of the Croozer does not engage fully in the locking plate (6), then turn the respective barrel adjuster (5) on the brake lever anticlockwise until the brake pin (2) is engaged fully in the locking plate (6).

4. If the brake pin (4) on the right side of the Croozer does not engage fully in the locking plate (6), then turn the respective barrel adjuster (3) on the brake lever anticlockwise until the brake pin (4) is engaged fully in the locking plate (6).

5. After adjustment, check the function of the parking brakes by pulling back the brake lever and trying to move the Croozer forwards or backwards with gentle pressure. It should not be possible to move the Croozer when the parking brakes are engaged.



Checking and Adjusting the Parking Brakes of the Croozer Kid Plus

To ensure that the parking brakes are in perfect working order, they must be checked and, if necessary, adjusted. When checking and adjusting the parking brakes, both wheels must be removed.



WARNING!

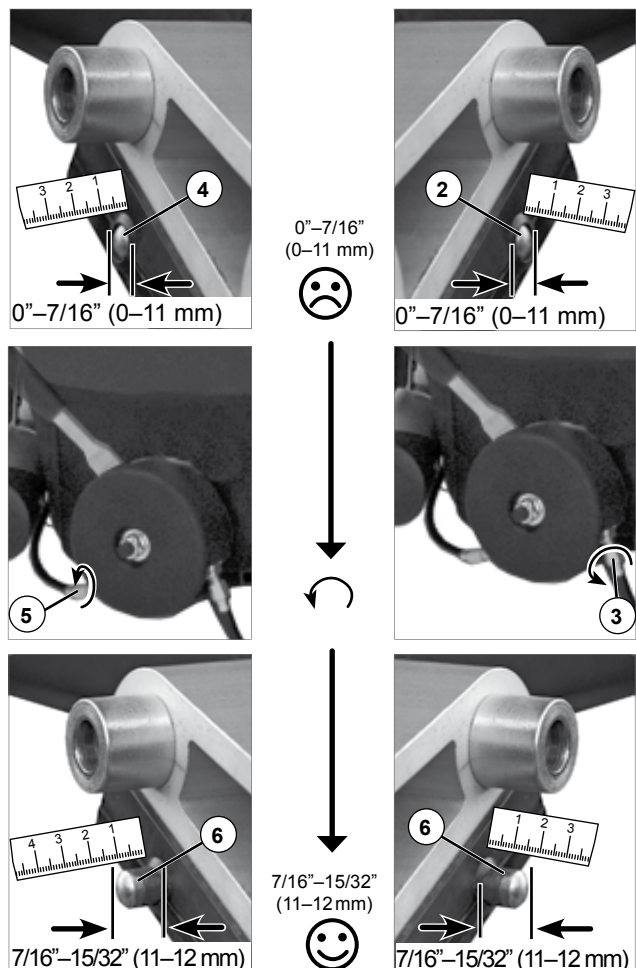
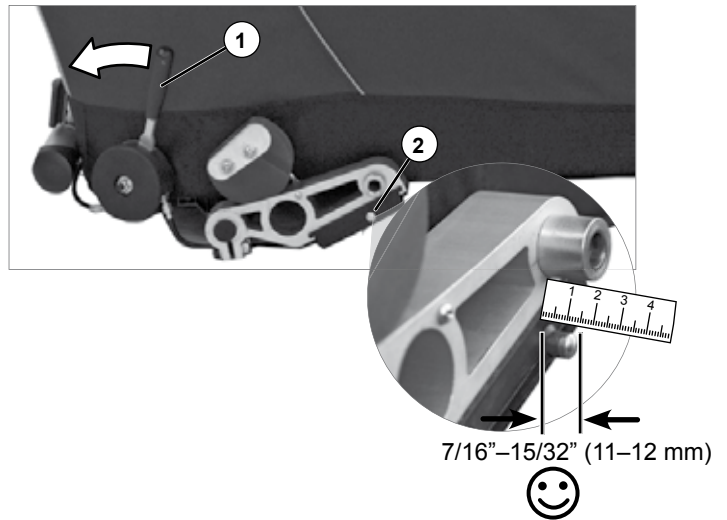
The parking brakes must be correctly adjusted! If the parking brakes have not been correctly adjusted, the parked Croozer Kid Plus could roll away unexpectedly, resulting in accidents with serious injuries or death.

1. If the wheels are mounted, remove them.
2. Pull back the brake lever (1) as far as it will go. The pins (2 and 4) on both sides of the Croozer will be pushed out of the brake bodies.
3. Use a ruler to measure how far the pins extend from the brake bodies. The parking brake is correctly adjusted if the respective pin extends by approx. $7/16''$ to $15/32''$ (11 to 12 mm).

If the pin extends less than $7/16''$ (11 mm), the brake must be adjusted.

4. If the pin (4) on the left side of the Croozer extends from the brake body by less than $7/16''$ (11 mm), then turn the respective barrel adjuster (5) on the brake lever anticlockwise until the pin is extended by $7/16''$ to $15/32''$ (11 to 12 mm).
5. If the pin (2) on the right side of the Croozer extends from the brake body by less than $7/16''$ (11 mm), then turn the respective barrel adjuster (3) on the brake lever anticlockwise until the pin is extended by $7/16''$ to $15/32''$ (11 to 12 mm).

6. After both pins have been checked and, if applicable, adjusted, mount the wheels and check the function of the parking brakes by pulling back the brake lever and trying to move the Croozer forwards or backwards with gentle pressure. It should not be possible to move the Croozer when the parking brakes are engaged.

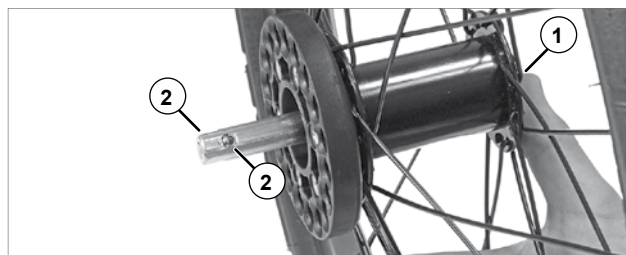


Initial Assembly and Unfolding the Croozer

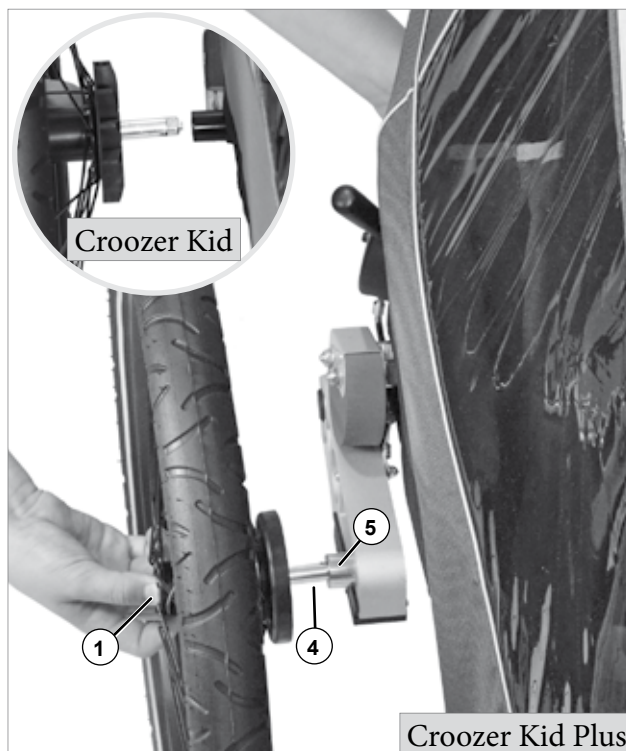
Attaching and removing the wheels

The wheels of the Croozer are equipped with push-button axles. By pressing the dust cap (1) on the wheel hub, the retaining balls (2) will retract within the axle to permit the attachment or removal of the wheel. The wheels cannot be attached or removed unless the dust cap is pressed in.

1. Check that the brake lever (3) is in the disengaged position. If not, move the brake lever (3) forwards to disengage the mechanism.



2. Use one hand to lift up the back of the Croozer.
3. Press the dust cap (1) of the wheel hub with the marking "PUSH".
4. Insert the wheel axle (4) all the way into the axle receiver (5) in the suspension swing arm of the Croozer Kid Plus or in the frame of the Croozer Kid, and release the dust cap.
5. Check whether the wheel is locked securely in the axle receiver by pulling firmly on the wheel without pressing the dust cap. It should not be possible to remove the wheel.
6. Follow the same steps to attach the second wheel.



WARNING!

After the wheels have been attached, be sure to check that they are both locked securely in the axle receivers. This can be done by pulling on the wheels without pressing on the dust caps. It should not be possible to remove the wheels unless you are pressing on the dust caps. Wheels that are not securely locked in the axle receivers could fall off while riding, resulting in accidents with serious injury or death.

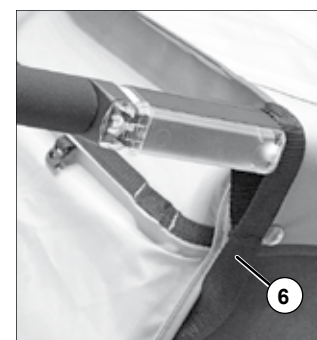
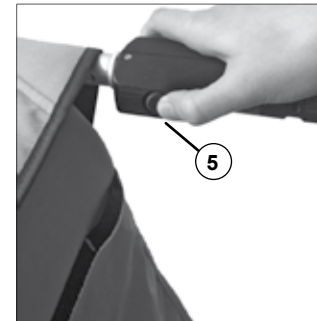
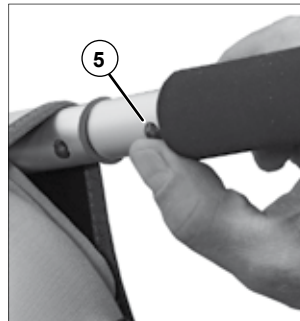
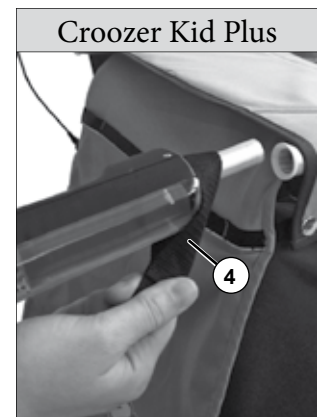
7. After the wheels have been attached, check the function of the parking brakes by pulling back on the brake lever (3). When the parking brakes are engaged, it should not be possible to move the wheels.
8. Before using your Croozer for the first time, be sure to inflate both tyres. The tyre pressure should never be higher or lower than the maximum and minimum inflation pressures marked on the tyre sidewall. Never use compressed air, e.g. from a petrol station, to fill your tyres. The quick flow and high pressure can overinflate the tyres, causing the tube and/or tyre to burst.
9. To remove the wheels, follow these instructions in the reverse order. Press the dust caps (1) and pull the wheels off.

Installing and removing the handlebar, lighting system and safety wrist strap

The handlebar has two functions. Firstly, it is used for pushing the Croozer as a swivel-wheel Buggy or fixed-wheel Stroller. For this purpose, the handlebar can be mounted in either a high or a low position, depending on the height and preferences of the user. Secondly, the handlebar functions as a roll bar, protecting the passengers should the Croozer tip over in the rare event of an accident. The handlebar is equipped with integrated wiring for the installation of the Croozer lighting system. This lighting system is included with the Croozer Kid Plus and may have to be installed. The lighting system (accessory) can be retrofitted to the Croozer Kid.

1. If applicable, begin by installing the original Croozer lighting system to the handlebar. (The lighting system is included with the Croozer Kid Plus and can be retrofitted as an accessory to the Croozer Kid.) For installation instructions, please see the separate manual for the lighting system.
2. Decide whether you would prefer to use the handlebar in the high (2) or low (3) position.
3. Slide the smaller loop of the safety wrist strap (4) over the handlebar, and insert both ends of the handlebar simultaneously into the upper frame tubes until you see and hear it lock into place on both sides.

Tip: The ends of the new handlebar may stick somewhat when inserting them into the frame tube for the first time. If so, a light coating of silicone spray can help.



WARNING!
The handlebar must be securely locked in place in the frame tubes. Otherwise, the handlebar could fall off when you are pushing it, and the Croozer could roll away unintentionally, resulting in accidents with serious injury or death.

WARNING!
When the Croozer is being used as a Bicycle Trailer, the handlebar must remain securely attached at all times. If the trailer should ever tip over, the handlebar acts as a roll bar, helping to prevent injuries.

Tip: When not in use, the safety wrist strap can hang inside (6) the rear compartment area.

4. To remove the handlebar, follow these instructions in the reverse order. Begin by pressing the buttons (5) on both sides of the handlebar or lighting system, and then pull the handlebar out of the frame.

Converting the Croozer to a Bicycle Trailer

If the Buggy wheel or Stroller Kit (wheel and wheel arms) are mounted to the Croozer, remove these components and lock the respective security pins into the appropriate holes.

NOTICE

Never leave the security pins hanging freely from their straps. They could get caught on passing objects and be pulled off, damaging the vehicle.

Installing and removing the hitch arm

The hitch arm is installed on the left side of the Croozer (relative to the direction of travel).

Tip: *The first time you install the hitch arm, we recommend tipping the Croozer onto its back end (resting on the handlebar) in order to have a better view of the parts while familiarising yourself with the procedure. Make sure that your working surface is clean and flat to avoid soiling and/or damaging the fabric body. Later, once you are familiar with the installation and removal procedures, you can install the hitch arm with the front of the Croozer slightly raised.*

1. Lift the front of the Croozer, or tip the frame onto its back end.
2. Pull out the security pin (1).
3. Hold the hitch arm (2) with the hole (4) facing upwards and the hitch arm at an approx. 45° angle to the attachment bracket (3).
4. Guide the retaining bolts (5) at the end of the hitch arm gently into the slots of the hitch-arm attachment bracket.
5. Then fold the hitch arm upwards into the hitch-arm attachment bracket until the bolts (5) of the hitch arm are fully engaged in the slots of the attachment bracket.

NOTICE

Do not let the strap of the security pin get caught between the hitch arm and attachment bracket as this could damage the strap.

6. Insert the security pin (1) as far as it will go through both holes of the hitch-arm attachment bracket. The head of the security pin is magnetic and will adhere to the hitch-arm attachment bracket.



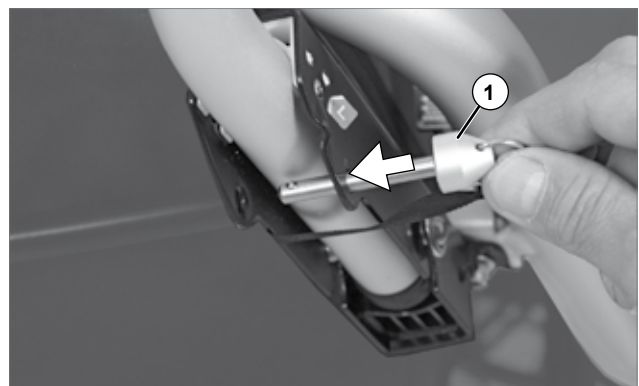
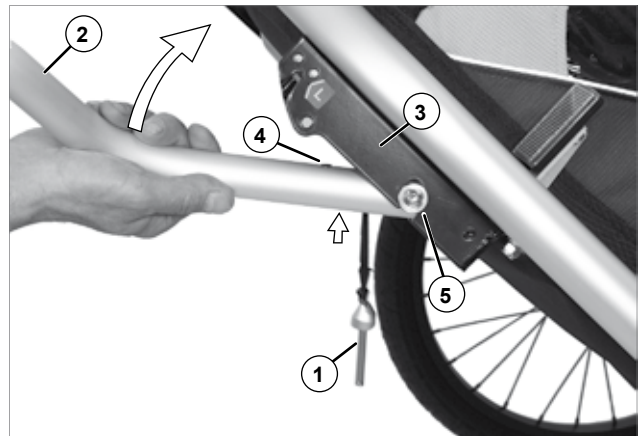
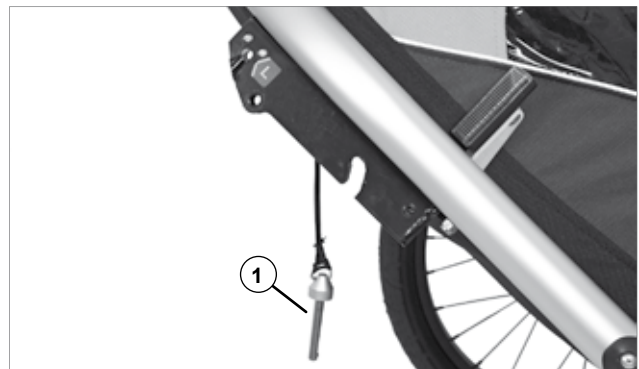
WARNING!

Always check that the security pin has been inserted as far as it will go through both holes and that it cannot fall out. If the security pin is not properly inserted, the hitch arm could fall off while in use, resulting in accidents with serious injury or death.

7. To remove the hitch arm, follow these steps in the reverse order.

NOTICE

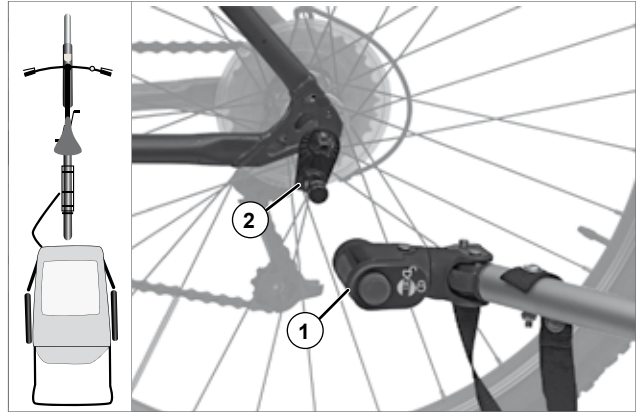
After removing the hitch arm, always lock the security pin back into the holes in the bracket. Never leave the security pin hanging freely from its strap. It could get caught on passing objects and be pulled off, damaging the vehicle.



Installing the axle hitch to the towing bicycle

The hitch assembly is always mounted to the left side of the bicycle (relative to the direction of travel) and consists of two parts: a hitch connector (1), which is attached to the hitch arm, and an axle hitch (2), which must be mounted to the rear axle of the towing bicycle.

However, before installing the axle hitch, you must first check whether the bicycle is suitable for towing a trailer. This information can be obtained from the bicycle manufacturer, a bicycle shop or the owner's manual of the bicycle.



WARNING!

It is vitally important to confirm that the towing bicycle is suitable for pulling trailers. Pulling a trailer with a bicycle that has not been approved by its manufacturer for use as a towing bicycle can result in frame breakage or other material damage. Breakages of this kind could cause accidents with serious injury or death.

If you are not completely confident about your ability to install the axle hitch correctly, please consult with, or have the installation performed by, a professional bicycle mechanic.



WARNING!

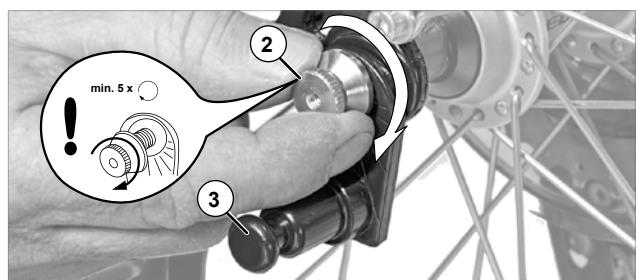
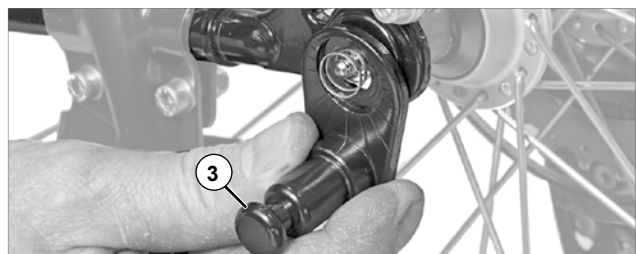
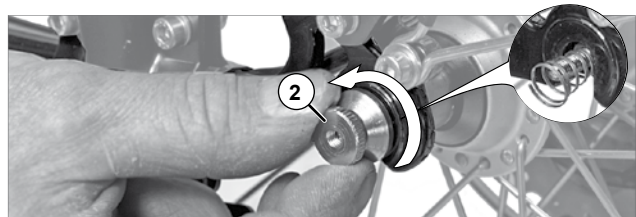
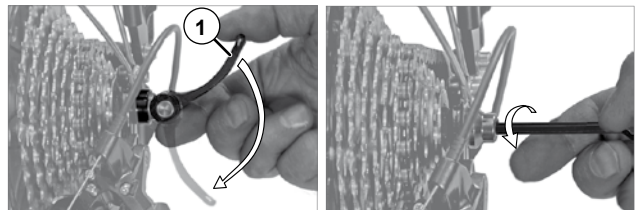
It is vitally important that the axle hitch be properly installed. An improperly installed axle hitch could come loose while riding and cause accidents with serious injury or death.

Installing the axle hitch to a bicycle with a quick-release axle

Tip: *If the bicycle wheel is equipped with a thru axle instead of a quick-release axle, the thru axle must be replaced with the Croozer Thru Axle available as an accessory. Other hitch axles are also available as accessories.*

The quick-release lever must be positioned on the right side of the bicycle (relative to the direction of travel). If the lever is on the left side, the quick-release skewer must be removed and reinserted from the right side. Be sure to follow the applicable instructions in the owner's manual of the bicycle and/or consult a professional bicycle mechanic.

1. Open the quick-release lever (1) on the rear wheel of the towing bicycle or loosen the Allen bolt (5 mm), depending on the type of quick-release axle. Often, the open position is indicated on the lever by the word "OPEN". In this case, when the word "OPEN" can be seen, the lever is in the open position.
2. Remove the tension-adjusting nut (2) of the quick-release assembly by turning the nut anticlockwise. Use caution: the spring located just beneath the nut is under tension and could fly off when removing the nut.
3. Fit the axle hitch (3) over the end of the quick-release skewer without removing the spring.
4. Thread the tension-adjusting nut (2) back onto the skewer. Tighten the tension-adjusting nut at least five full turns (clockwise).



Converting the Croozer to a Bicycle Trailer



WARNING!

The tension-adjusting nut must engage the threads for at least five full turns in order to ensure adequate clamping force for holding the rear wheel securely. Failure to tighten the tension-adjusting nut adequately may result in accidents with serious injury or death. If the quick-release skewer is too short, it must be replaced. Consult a professional bicycle mechanic for the appropriate parts and assistance.

5. Check that the rear wheel of the towing bicycle is properly aligned, adjusting the position if necessary; then close the quick-release lever or tighten the Allen bolt, depending on the type of quick-release axle. Often, the closed position is indicated on the lever by the word "CLOSE". In this case, when the lever side marked "CLOSE" can be seen, the lever is in the closed position. If the tension-adjusting nut has been tightened the proper amount, you will be able to feel the resistance increase when the lever is about half-way closed, i.e. parallel to the axle. The adjustment is correct if you can fully close the lever but with considerable force. In the closed position, the lever should be parallel to the frame, i.e. it should not stick out to the side.

6. Check whether the quick-release is securely engaged by trying to rotate the endcap of the mechanism (where the lever is attached) without opening the lever.

If the endcap is loose enough to rotate, then the clamping force is inadequate. In this case, open the lever, and tighten the tension-adjusting nut half a turn clockwise. Repeat steps 5 and 6.

If it is impossible to push the quick-release lever into the closed position, then open the lever, and unscrew the tension-adjusting nut half a turn anticlockwise. Repeat steps 5 and 6. Keep in mind that the tension-adjusting nut must engage the threads of the quick-release skewer for at least five full turns.



WARNING!

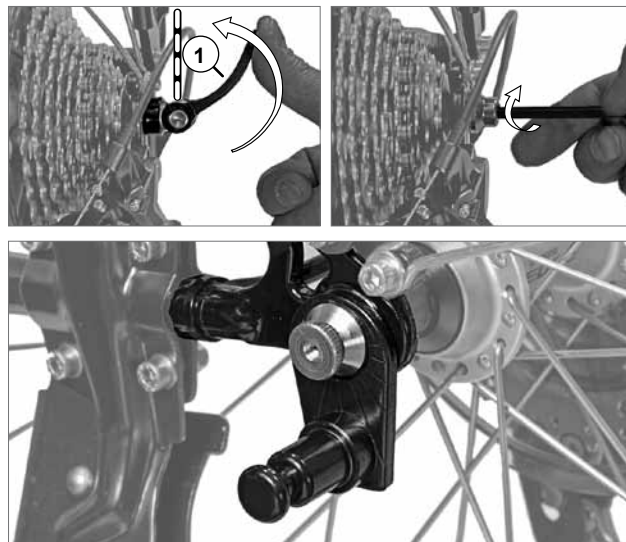
The tension-adjusting nut must engage the threads for at least five full turns in order to ensure adequate clamping force for holding the rear wheel securely. Failure to tighten the tension-adjusting nut adequately may result in accidents with serious injury or death. If it is not possible to tighten the tension-adjusting nut five full turns, then the quick-release skewer is too short and must be replaced. An extra-long quick-release axle is available as an accessory. Consult a professional bicycle mechanic for the appropriate parts and assistance.

7. Finally, hold the rear wheel with both hands and try to rock it back and forth to check that the wheel is held securely in the dropouts.



WARNING!

The rear wheel of the towing bicycle must be properly attached after the axle hitch has been installed. Riding with an improperly installed rear wheel can result in accidents with serious injury or death. Follow the instructions and warnings given in the owner's manual of the towing bicycle. There are many different types of axles. When in doubt, consult a professional bicycle mechanic.



Installing the hitch to a bicycle with a solid axle

1. Remove the axle nut (1) on the left side of the solid axle by turning it anticlockwise.



WARNING!

It is vitally important that you leave the retaining washer (2) on the axle. This washer prevents the axle from rotating in the dropouts. Riding without the retaining washer can result in accidents with serious injury or death.

2. Without removing the retaining washer, feed the end of the axle through the hole in the axle hitch (3).
3. Screw the axle nut (1) back onto the axle, tightening at least five full turns.



WARNING!

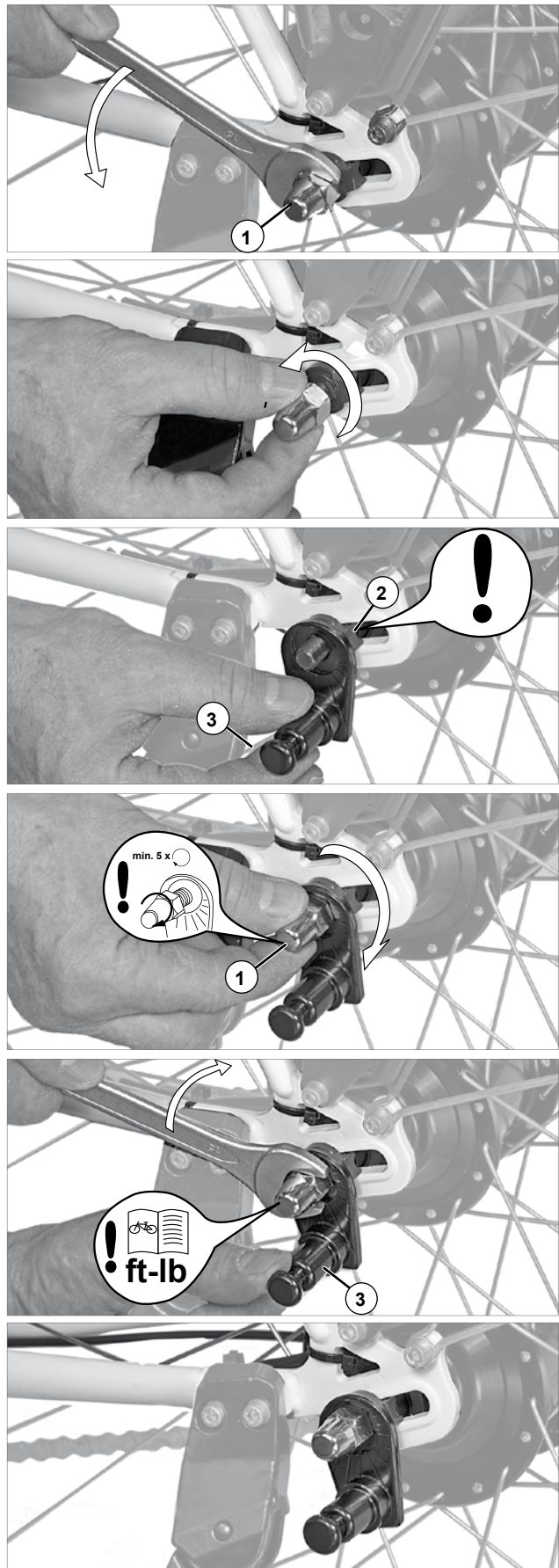
The nut must engage the threads for at least five full turns in order to ensure adequate clamping force for holding the rear wheel securely. Failure to tighten the nut adequately may result in accidents with serious injury or death. If it is not possible to tighten the nut at least 5 full turns, then the axle is too short, and the axle hitch cannot be used! Consult a professional bicycle mechanic for the appropriate parts and assistance.

4. Check that the rear wheel of the towing bicycle is properly centred, adjusting the position if necessary; then tighten the nut (1) using the tightening torque specified in the owner's manual of the bicycle. Be sure to hold the axle hitch in place while tightening the nut.
5. Finally, hold the rear wheel with both hands and try to rock it back and forth to check that the wheel is held securely in the dropouts.



WARNING!

The rear wheel of the towing bicycle must be properly installed after the axle hitch has been mounted. Riding with an improperly installed rear wheel can result in accidents with serious injury or death. Be sure to follow the instructions and warnings given in the owner's manual of the towing bicycle. When in doubt, consult a professional bicycle mechanic.



Converting the Croozer to a Bicycle Trailer

Installing the safety flag

The safety flag makes it easier for other road users to see the Croozer, increasing your child's safety, as well as your own. Therefore, never use the Croozer as a Bicycle Trailer without the safety flag in place.

The safety flag slides into a canvas sleeve that is attached to the left rear frame tube with two Velcro straps.

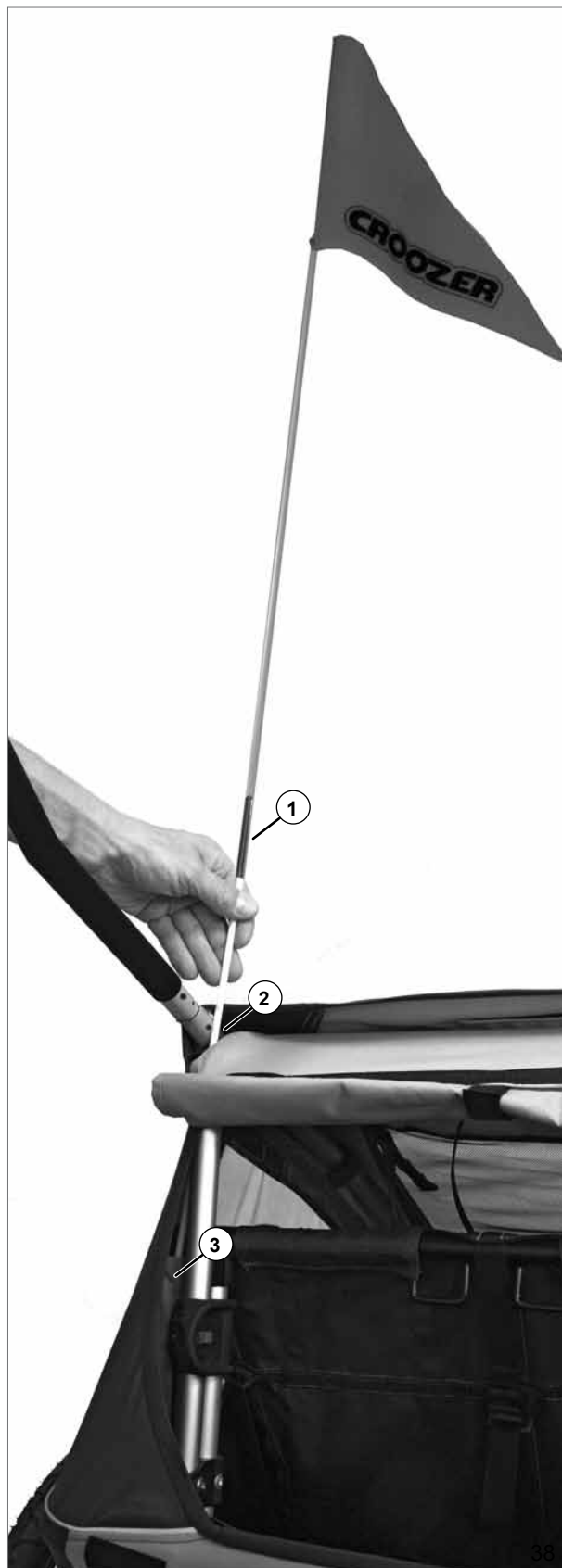
1. Assemble the flag pole (1) by connecting the two sections of the pole.
2. Slide the flag pole through the opening where the handlebar (2) passes through the fabric cover.
3. Guide the pole of the safety flag into the canvas sleeve (3) attached to the rear frame tube.



WARNING!

When pulling the Croozer as a Bicycle Trailer, the safety flag must be properly installed at all times. If the safety flag is not properly installed, other road users may fail to see the Croozer, which could result in accidents with serious injury or death.

Tip: *When you are using the Croozer in countries with left-hand traffic, the safety flag must be used on the right side of the Croozer. To move the flag, the canvas sleeve can be easily removed and reattached to the right rear frame tube using the Velcro straps.*



Converting the Croozer to a Buggy

If the hitch arm or Stroller Kit (wheel and wheel arms) has been mounted to the Croozer, remove these components and lock the respective security pins into the appropriate holes.

NOTICE

Never leave the security pins hanging freely from their straps. They could get caught on passing objects and be pulled off, damaging the vehicle.

Installing the Buggy wheel

Tip: *The first time you install the Buggy wheel, we recommend tipping the Croozer onto its back end (resting on the handlebar) in order to have a better view of the parts while familiarising yourself with the procedure. Make sure that your working surface is clean and flat to avoid soiling and/or damaging the fabric body. Later, once you are familiar with the installation and removal procedures, you can install the Buggy wheel with the front of the Croozer slightly raised.*

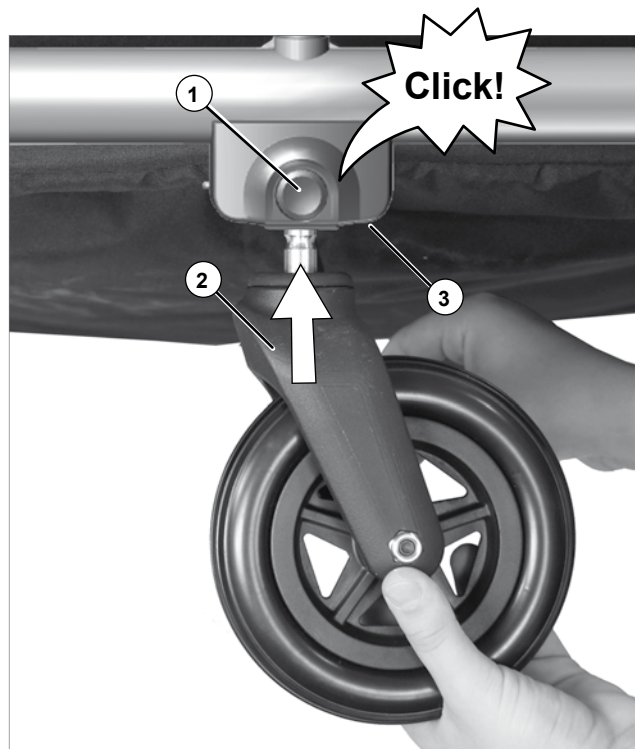
1. Lift the front of the Croozer, or tip the frame onto its back end.
2. Insert the Buggy wheel (2) into the Buggy-wheel socket (3) as far as it will go. You should be able to hear and feel it lock into place.



CAUTION!

Always check that the Buggy wheel is engaged securely in the socket and cannot be pulled out without pressing the button. If the Buggy wheel is not locked securely in the socket, it could fall off while in use, resulting in accidents with injuries.

3. To remove the Buggy wheel, press the button (1) and pull the Buggy wheel out of the socket.



Converting the Croozer to a Stroller

If the hitch arm or Buggy wheel has been installed, remove these components.

Attaching the wheel arms

The Stroller Kit consists of two wheel arms, one Stroller wheel and a safety wrist strap. The wheel arms are attached to the frame in the same way as the hitch arm. One wheel arm is mounted to the hitch-arm attachment bracket on the left side of the frame, and the other, to the wheel-arm attachment bracket on the right side of the frame (relative to the direction of travel).

Tip: *The first time you install the Stroller Kit, we recommend tipping the Croozer onto its back end (resting on the handlebar) in order to have a better view of the parts while familiarising yourself with the procedure. Make sure that your working surface is clean and flat to avoid soiling and/or damaging the fabric body. Later, once you are familiar with the installation and removal procedures, you can install the components of the Stroller Kit with the front of the Croozer slightly raised.*

1. Lift the front of the Croozer, or tip the frame onto its back end.
2. Pull the security pins out of the hitch-arm attachment bracket and wheel-arm attachment bracket.

Tip: *Position each arm so that it curves inward, ensuring that the hole (4) in the left arm is facing upwards.*

3. Hold the left wheel arm (2) at an approx. 45° angle to the hitch-arm attachment bracket.
4. Guide the retaining bolts (3) of the left wheel arm gently into the slots of the hitch-arm attachment bracket.
5. Then fold the wheel arm upwards into the hitch-arm attachment bracket until the bolts of the wheel arm are fully engaged in the slots of the attachment bracket.
6. Press the wheel arm firmly against the hitch-arm attachment bracket.

NOTICE

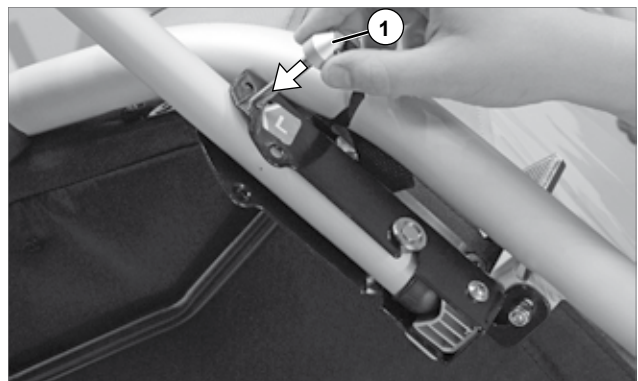
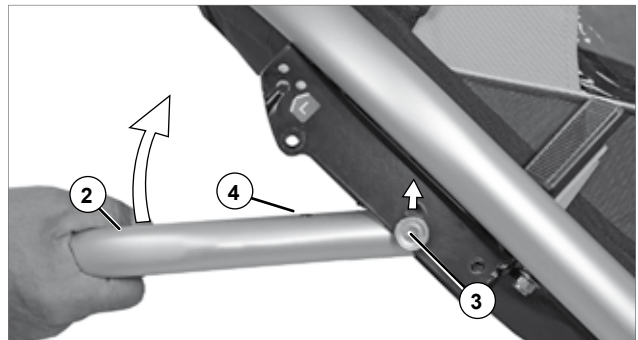
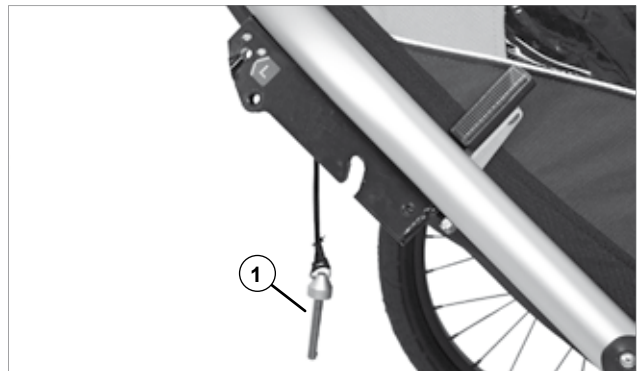
Do not let the strap of the security pin get caught between the wheel arm and attachment bracket as this could damage the strap.

7. Insert the security pin (1) as far as it will go through the upper hole of the hitch-arm attachment bracket (marked with the letter "L"). The head of the security pin is magnetic and will adhere to the hitch-arm attachment bracket.
8. Repeat these steps to attach the right wheel arm. (The correct hole for the security pin is marked with the letter "R".)



WARNING!

Always check that the security pins have been inserted as far as they will go and that the heads are held firmly against the attachment brackets by magnetic force. Otherwise, the wheel arms could fall off while in use, resulting in accidents with serious injury or death.



- To remove the wheel arms, follow these instructions in the reverse order.

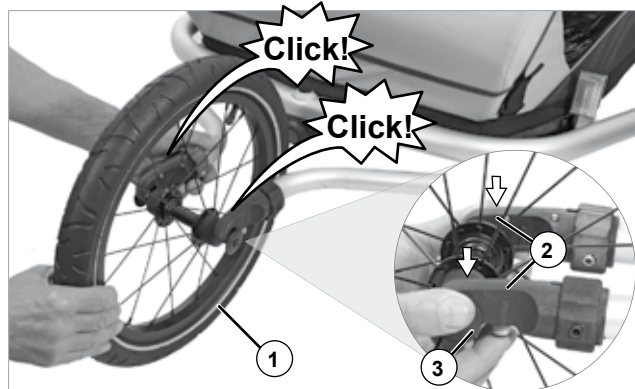
Installing the Stroller wheel

- Position the Stroller wheel (1) under the dropouts (2) of the wheel arms, and press the dropouts onto the ends of the Stroller-wheel axle (3) until the axle has locked into place in both dropouts. On each side, you should hear a click and be able to see that the dropout is securely fastened.
- Hold the Stroller wheel with both hands, pushing it back and forth to check that the wheel is securely fastened.



WARNING!

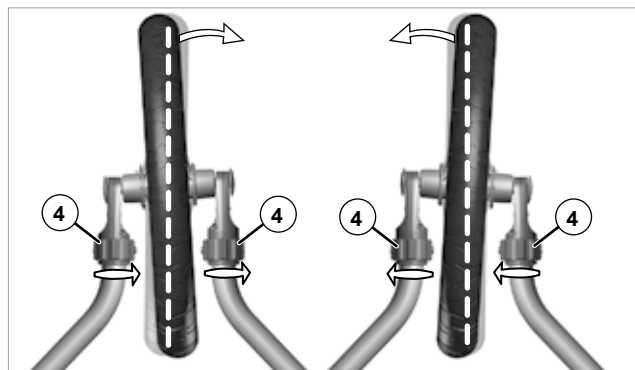
It is vitally important that the Stroller wheel and wheel arms be installed properly. Using the Croozer with improperly installed Stroller Kit components could result in accidents with serious injury or death. When in doubt, consult a professional bicycle mechanic.



WARNING!

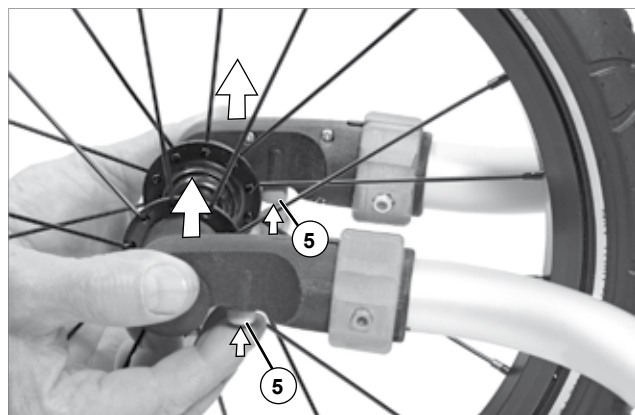
The Croozer with the Stroller Kit installed is considered a walking stroller and is not approved for jogging or skating. Jogging or skating with the Stroller could result in accidents with serious injury or death.

Tip: Although the Croozer with the Stroller Kit installed meets high safety standards, we are required to provide this warning because there are factors other than the vehicle itself that may constitute a hazard. Zwei plus zwei GmbH will not be liable for damages of any kind resulting from the use of the Croozer for jogging or skating.



Tip: If, when pushing the Stroller, you notice that it is pulling to one side, use the tracking-adjusting rings (4) near the dropouts to adjust the tracking of the wheel.

- To remove the components of the Stroller Kit, follow these steps in the reverse order. Press the buttons (5) near the two dropouts and pull the Stroller wheel downwards, out of the dropouts.



Converting the Croozer to a Stroller

Using the safety wrist strap

To prevent the Croozer from accidentally slipping out of your hands and rolling away, for example when pushing the Stroller downhill, it is vitally important that you keep the safety strap (1) around your wrist at all times. Use the rubber ring (2) to adjust the loop size to fit snugly around your wrist.

The safety wrist strap is usually mounted with the handlebar. Before using the Stroller version of the Croozer, check that the safety wrist strap has been mounted. If the handlebar has been installed without the safety strap, remove the handlebar and reinstall it with the safety wrist strap attached, following the instructions given in the section "Installing and removing the handlebar, lighting system and safety wrist strap" on page 17.



WARNING!

When using the Stroller, it is vitally important that you keep the safety wrist strap fastened securely around your wrist at all times. Otherwise, the handlebar could slip out of your grip and roll away, resulting in accidents with serious injury or death.

Using your Croozer

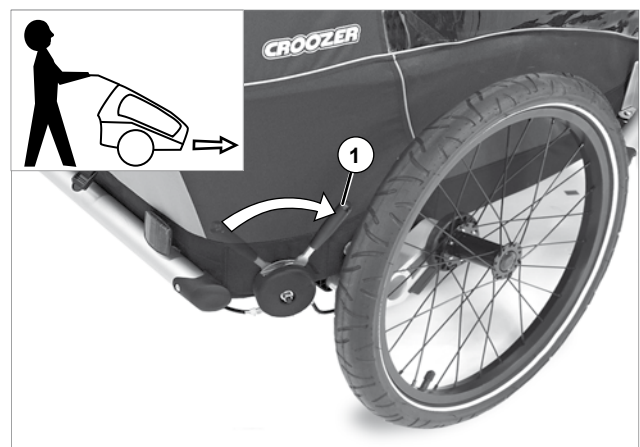
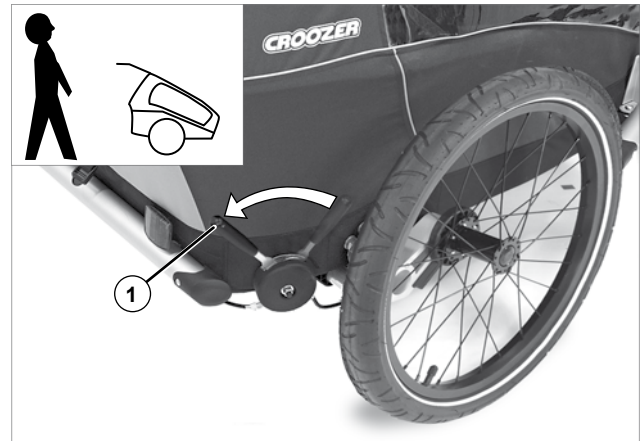
Engaging and disengaging the parking brake

The parking brake locks the wheels of a parked or stopped Croozer to prevent it from rolling away. Never use the parking brake to slow down the Croozer when in motion. Always engage the parking brake in the following situations:

- when releasing the handlebar of a parked/stopped Stroller or Buggy
- when loading/unloading children or helping a child into or out of the Stroller, Buggy or Bicycle Trailer
- when folding the frame (to keep the Croozer from rolling away from you)

The parking brake is operated by a lever behind the right wheel of the Croozer. When the parking brake is engaged, both wheels are locked.

1. To engage the parking brake, pull the lever (1) toward the back of the Croozer.
2. Give the Croozer a gentle push and pull to check that the brake is correctly engaged.
3. To release the parking brake, push the lever (1) forward as far as it will go. When the brake is correctly disengaged, the Croozer wheels will be able to move freely.



WARNING!

Always set the parking brake when releasing the handlebar of the parked/stopped Croozer, and check that the wheels are securely locked by giving the Croozer a gentle push and pull. If the parking brake is not correctly engaged, the Croozer could roll into harm's way, resulting in accidents with serious injury or death.



WARNING!

Always set the parking brake when loading/unloading children or helping a child into or out of the Croozer, and check that the wheels are securely locked by giving the Croozer a gentle push and pull. If the parking brake is not securely engaged in this situation, the vehicle could roll away, resulting in serious injuries to the passengers.

NOTICE

Never use your foot for operating the parking brake lever. Doing so could damage the braking mechanism.

Never attempt to pull the Bicycle Trailer or push the Buggy or Stroller with the parking brake engaged, as doing so could damage the braking mechanism and tyres.

Using your Croozer

Opening and closing the cover

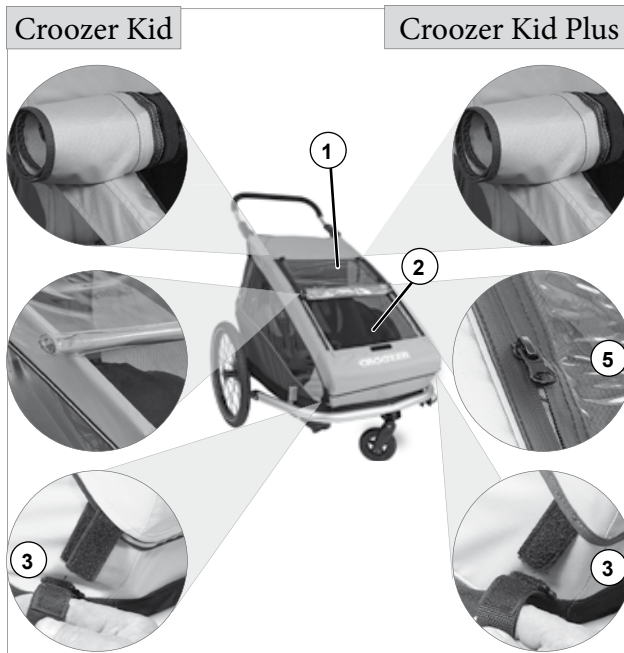
The two-in-one cover consists of a transparent plastic window (1), which protects the passenger from wind and light rain, and a mesh cover (2) beneath it.

Croozer Kid

When unrolled, the mesh cover, or both covers together, are secured using Velcro tabs (3) on the lower frame. The plastic window can be rolled up by itself or together with the mesh cover and is secured at the top using elastic loops with hooks (4).

Croozer Kid Plus

When unrolled, the mesh cover, or both covers together, are secured using Velcro tabs (3) on the lower frame. The plastic window is attached to the mesh cover with zippers (5). It can be rolled up by itself or together with the mesh cover and is secured at the top using elastic loops with hooks (4).



WARNING!

When riding with the Bicycle Trailer, always close the plastic window and/or mesh cover to protect passengers from insects (e.g. getting into children's eyes) and to prevent small stones and other road debris from flying into the passenger compartment and injuring passengers.

Tip: For stronger rain, we recommend using the additional Rain Cover, which is available as an accessory.



CAUTION!

The Croozer's plastic windows and fabric cover offer only minimal protection against UV rays. Therefore, passengers could suffer from sunburn when the Croozer is used in strong sunlight. Take the same precautions as you would outdoors to protect your child's skin from the harmful rays of the sun.

Mounting and dismounting

When loading or unloading the child or, in the case of older children, when the passengers are getting into or out of the seat, the parking brake of the Croozer must be engaged to prevent unintentional rolling. In addition, when you are using the Croozer as a Bicycle Trailer, the towing bicycle must be safely and securely supported to prevent it from falling over.

1. Open the cover, roll it up, and secure it at the top, using the elastic loops and hooks (4).
2. If you are near traffic, have the child get in from the side that is away from the traffic if possible. When using the Croozer as a Bicycle Trailer, passengers should climb in from the right side (with respect to direction of travel), so that they do not have to step over the hitch arm. Always assist children as they enter and exit the passenger compartment.



NOTICE

Never allow the child to sit or stand on the hitch arm or wheel arms, as doing so could damage these parts.

Fastening and unfastening the safety harness

The 5-point safety harness consists of shoulder straps (1), which are connected to the lap belts (2), and a crotch strap (3), which is connected to the chest pad (4) and the centre buckle (6). On each side, the shoulder strap (1) and lap belt (2) are fastened together to a clip (5) that is inserted into the centre buckle (6). The pads on the shoulder straps and lap belts provide additional comfort.



WARNING!

When using the Croozer to transport children who are not able to sit upright unassisted or babies under 6 months of age, you must use the original Croozer Infant Sling. The seats and safety harnesses are designed for children up to 46 inches (117 cm) in height. In dangerous situations, a baby could slip out from under the safety harnesses, resulting in serious injury or death.

Tip: For infants from approx. one to ten months of age, use the original Croozer Infant Sling, which is available as an accessory.

Opening the harness

1. Press the button (8) on the centre buckle in order to release the clips (5) attached to the shoulder straps and lap belts.
2. Allow the crotch strap (3) with the chest pad (4) to hang down towards the foot area, and lay the clips with the shoulder straps and lap belts (1 and 2) on either side of the seat so that the child can be placed comfortably into the seat.

Fastening the harness

1. Make sure that the harnesses are unbuckled; then place the child in the seat.
2. On both sides of the harness, pull the shoulder straps (1) with the attached lap belts (2) over the arms of the child as if helping them into a rucksack.
3. Place the crotch strap (3) between the child's legs, with the attached chest pad (4) resting on the child's upper body.
4. Insert the two clips (5) into the centre buckle (6). You should hear a click and be able to see that the two clips are securely fastened.



WARNING!

Children riding in the Croozer must be strapped into the safety harnesses at all times. Otherwise, in dangerous situations, the child could fall out of the seat, resulting in serious injury or death.

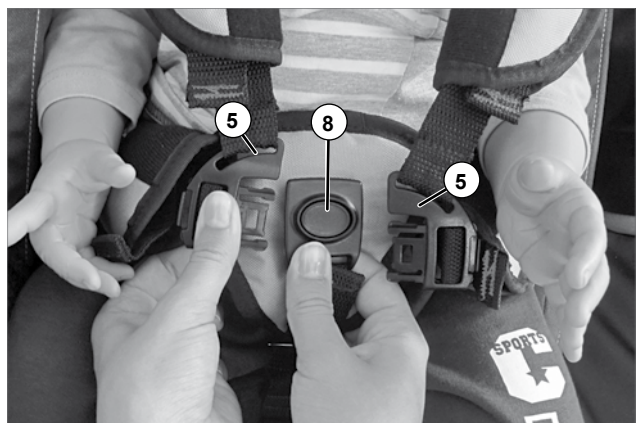
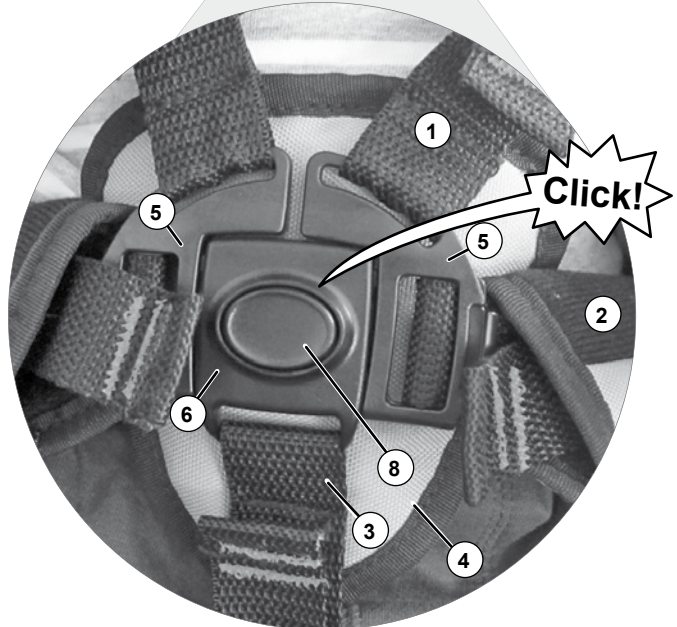


WARNING!

Failure to adjust the straps of the safety harness properly or to fasten the buckles correctly could result in serious injury or death in the event of an accident.

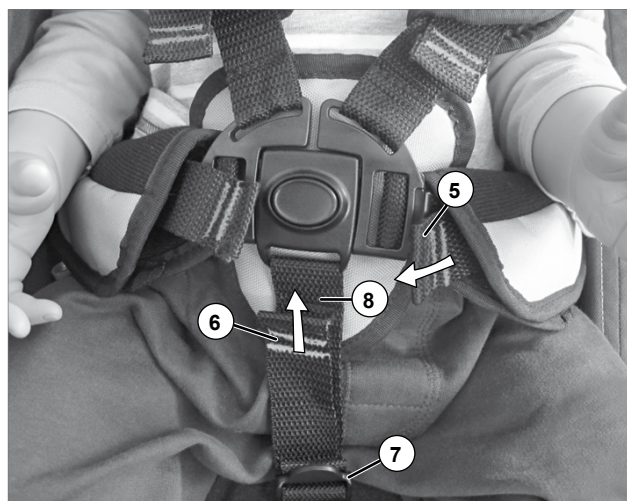
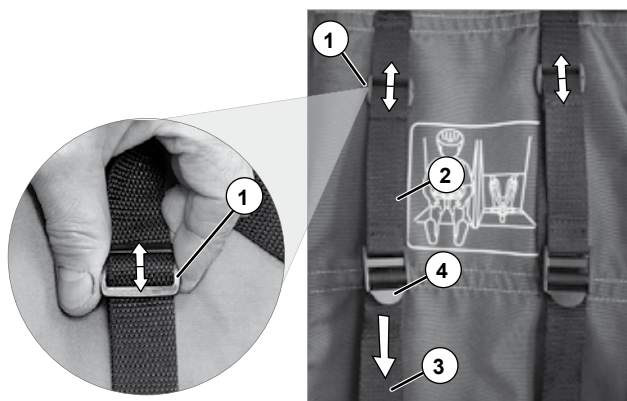
Unfastening the harness

1. Press the button (8) of the centre buckle. Both clips (5) attached to the shoulder straps and lap belts will be released from the buckle.



Adjusting the safety harness

1. Make sure that the harnesses are unbuckled; then place the child in the seat.
2. Slide the triglide adjusters (1) up or down to adjust the height of the shoulder straps. For the sake of clarity, the photo on the right shows the Croozer with no passenger and no shoulder-strap pads.
3. Buckle the child into the seat if the straps are long enough.
4. Shorten the shoulder straps by pulling on the ends (3) of the shoulder straps (under the shoulder-strap pads). Lengthen them by lifting the adjustment buckles (4) and pulling on the shoulder straps (2).
5. Shorten the lap belts by pulling on the ends (5) of the lap belts. Lengthen them by lifting the adjustment buckles (under the lap-belt pads) and pulling on the lap belts.
6. Shorten the crotch strap by pulling on the end (6) of the crotch strap. Lengthen it by lifting the adjustment buckle (7) and pulling on the crotch strap (8).
7. Adjust the tension of all straps so that the child is held securely but comfortably in the harness (i.e. ensure that the straps are snug but not so tight that they cause discomfort).



WARNING!

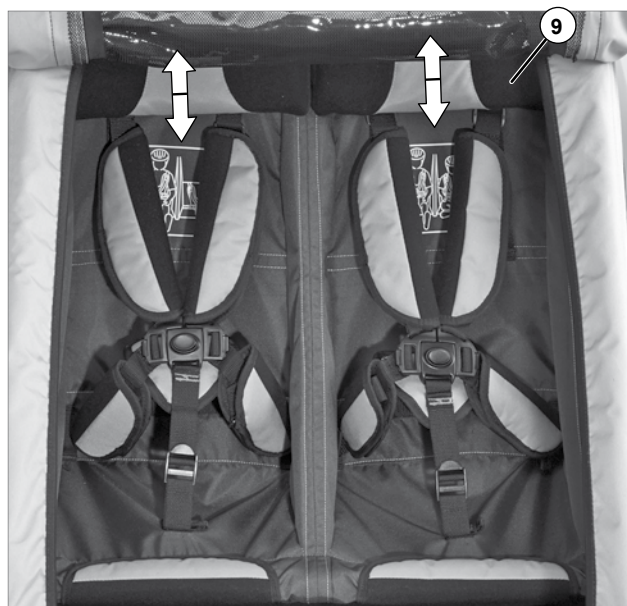
The distance between the child's body and the shoulder straps and lap belts must be as small as possible to ensure that the passenger is held securely in the seat. If the distance is too great, the safety harness may not be able to hold the child securely, which in the event of an accident could result in serious injury or death. If the distance is too small, the straps can press too tightly against the child's body, causing discomfort.

Adjusting the head pads to the child's height

The top section of the seatback has Velcro strips for attaching the head pads (9). The position of the head pads can be adjusted to the height of the child.

1. Pull off the head pad (9).
2. Press the head pad onto the Velcro strips of the seatback at the appropriate height.

Tip: You can remove the head pads for a more comfortable sitting position when your child is wearing a helmet.



Transporting cargo

Load capacity and cargo compartments

The Croozer has a large cargo compartment (1) behind the seat for holding your gear and essentials. The cargo compartment has an inside pocket (2) with a Velcro closure; this pocket can be used for stowing the Buggy wheel when not in use. In the passenger compartment of the Croozer, beside the seats, are two mesh pockets (3) for smaller take-along items, such as drinking bottles, dummies/pacifiers, sunglasses etc.

Tip: In addition, we recommend using the optional Handlebar Console for additional cargo capacity with the Stroller or Buggy.

When using the Croozer, never exceed the weight limits specified below:

Maximum Load* (Passengers + Cargo)	
Croozer Kid/Kid Plus for 1	77 lbs (35 kg), max. 1 child
Croozer Kid/Kid Plus for 2	100 lbs (45 kg), max. 2 children
Of which in rear cargo compartment	max. 11 lbs (5 kg)
Of which in Handlebar Console (accessory)	max. 4.4 lbs (2 kg)
* Weight limits only apply if the hitch-arm load is within the specified range of 6.6 to 17.6 lbs (3–8 kg). See page 32.	



WARNING!

NEVER OVERLOAD THE CROOZER. Doing so can severely affect the Croozer's handling and cause accidents with serious injury or death.



WARNING!

Never transport cargo items together with children on the seat or in the foot area. The cargo could shift during transport and injure the Croozer passenger(s).



WARNING!

Cargo in the rear cargo compartment must always be well secured to ensure that it cannot shift during transport. Loose cargo can change the handling of the Croozer, which could cause accidents with serious injury or death. Furthermore, loose cargo items can fall against the seatback when braking and injure the passenger(s) in the Bicycle Trailer.



Using your Croozer

Proper weight distribution and hitch-arm load

For safe handling, the weight on the hitch connector should be between 6.6 and 17.6 lbs (3 and 8 kg); the hitch-arm load (nose weight) is associated with an even distribution of weight in the trailer.

If the centre of gravity is too far forward, the hitch connector will be overloaded. If the centre of gravity is too far behind the wheels, the rear wheel of the towing bicycle could lose traction, especially when making turns. If the centre of gravity is too far right or left, the trailer has a stronger tendency to tip over when making turns. Check the weight on the hitch connector before using the Croozer as a Bicycle Trailer.

Follow these steps, using your bathroom scales, to determine the weight on the hitch connector:

1. Place your bathroom scales beside the hitch arm of the loaded and unhitched trailer.
2. Step onto the scales and make a note of your weight.
3. Now lift the hitch connector of the hitch arm about 1 foot (30 cm) off the ground.
4. The weight shown on the scales should be 6.6 to 17.6 lbs (3–8 kg) more than your own weight.



WARNING!

Never overload the trailer and never ride with a hitch-arm load that is outside the specified range of 6.6 to 17.6 lbs (3–8 kg). Always distribute the load evenly. Failure to do so could compromise the handling properties and cause accidents with serious injury or death.



WARNING!

Never use the handlebar for carrying loads, such as children's vehicles or bags (other than the Handlebar Console available as an accessory). Loading the handlebar compromises the stability and handling of the vehicle, which could result in accidents with serious injury or death.

Hitching the Croozer to the towing bicycle

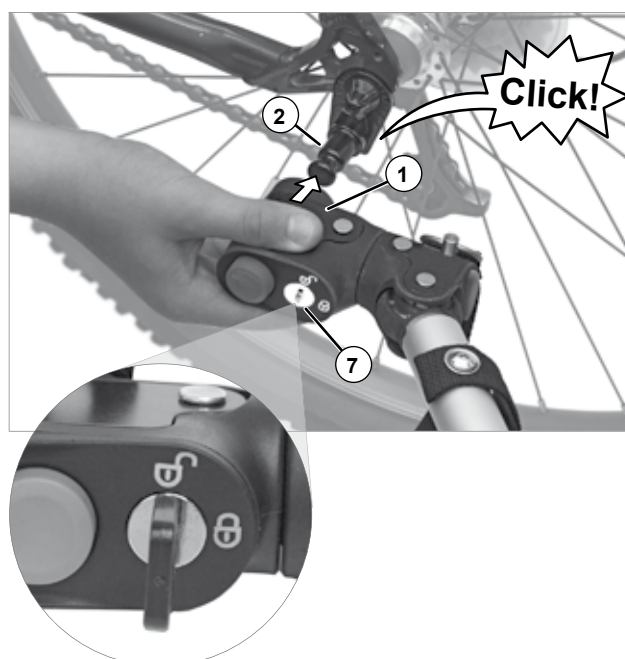
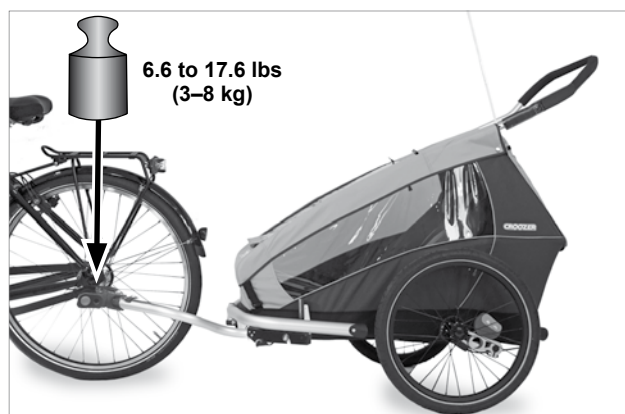


WARNING!

It is vitally important that you check whether the towing bicycle has been approved by its manufacturer for pulling a trailer. Towing a trailer with an unsuitable bicycle can result in frame breakage and accidents with serious injury or death.

Never hitch the trailer with passengers inside. The lock (7) in the hitch connector must be in the open position.

1. Lift the hitch arm of the Croozer, and push the hitch connector (1) as far as it will go onto the axle hitch (2) that has been installed on the towing bicycle. You should hear a click and be able to see that the axle hitch is securely engaged in the hitch connector. Pull gently on the hitch connector to ensure that it is locked securely to the axle hitch.
2. Press the button (3) on the side of the hitch connector and pull the pin (4) of the hitch-arm safety strap out of the hole.
3. Wrap the hitch-arm safety strap (5) around the chain stay and push the pin (4) back into the hole until you hear it click into place. Pull gently on the pin to make sure that it is



locked securely in the hole. Make sure there is no danger of the hitch-arm safety strap (5) getting caught in the spokes or disc brakes of the towing bicycle.



WARNING!

Always check to make sure that the axle hitch is locked securely in the hitch connector. If the axle hitch is not locked securely in the hitch connector, the Croozer could become unhitched while riding, resulting in accidents with serious injury or death.



WARNING!

Never pull the Croozer as a Bicycle Trailer without the hitch-arm safety strap securely fastened to the towing bicycle. The safety strap ensures that the Croozer would remain connected to the towing bicycle if the hitch connector were to fall off the axle hitch. Failure to use the safety strap as specified above could cause accidents with serious injury or death.



WARNING!

Never leave the Buggy wheel attached when using the Croozer as a Bicycle Trailer. The Buggy wheel could get caught on obstacles as you pass, resulting in accidents with serious injury or death.

- In order to prevent theft or the unhitching of the Croozer from the towing bicycle by an unauthorised person, the hitch connector is equipped with a hitch lock. This mechanism makes it possible to lock the Croozer to the towing bicycle.

Locking: Insert the key into the lock, turn the key to the horizontal position, and remove it.

Unlocking: Insert the key into the lock, turn the key to the vertical position, and remove it.

NOTICE

Never leave the key in the lock when pulling the Bicycle Trailer. The key could break off.

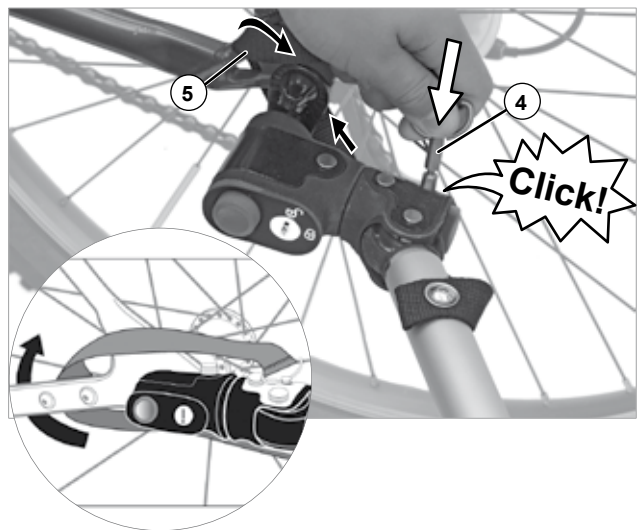
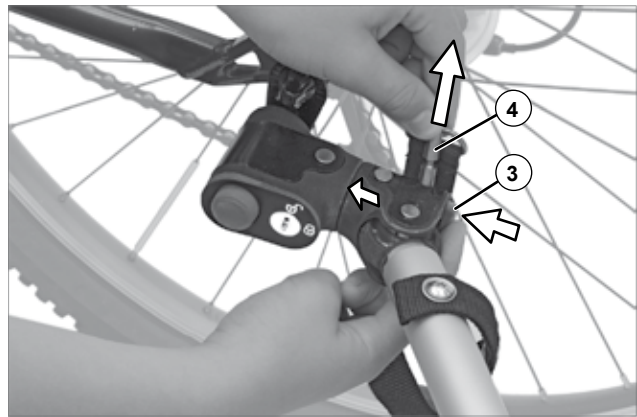
NOTICE

The hitch lock by itself does not adequately protect the Croozer from theft over longer periods of time. Always use one or more bicycle locks to secure the towing bicycle and Croozer to fixed, immovable objects, like lamp posts etc.

Tip: The hitch lock comes with three keys. If you need additional keys, you can have duplicates made by a locksmith or other key-cutting service.

Unhitching the Croozer from the towing bicycle

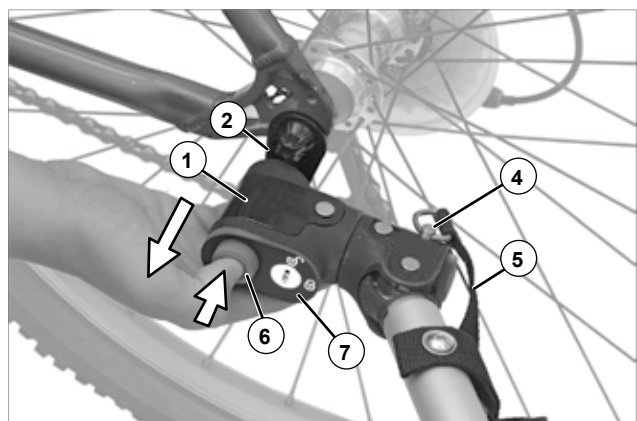
- To unhitch the Croozer, follow the instructions above in the reverse order. Open the lock in the hitch connector, unfasten the hitch-arm safety strap (5), and reinsert the pin (4) in the hole. Press the button marked as (6) in the picture on the right and pull the hitch connector (1) off of the axle hitch (2).



unlocked



locked



Using your Croozer

Using a lighting system

If you plan to use the Croozer as a Bicycle Trailer at night, dusk or dawn – or when visibility is in any way reduced – the trailer must be equipped with a lighting system.

The handlebar of the Croozer Kid Plus comes with an integrated original Croozer lighting system (1).

Croozer Kid Plus

The handlebar of the Croozer Kid can be retrofitted with the original Croozer lighting system, which is available as an accessory. The required wiring is built into the Croozer Kid handlebar.

Croozer Kid

Switching the lighting system on and off

For operating instructions, please see the separate manual for the lighting system.

Charging the battery of the handlebar lighting system

For charging instructions, please see the separate manual for the lighting system.

Lighting options from other manufacturers, such as battery-powered LED lights, are also suitable for use with the Croozer.

There are two taillight-mounting loops (2) sewn onto the rear cover, near the top, for the attachment of taillights. For both one-seaters and two-seaters, a taillight is attached to the mounting loop on the left side in countries with right-hand traffic (and on the right side in countries with left-hand traffic).

For two-seaters, a white headlight is mounted on the left side in countries with right-hand traffic (and on the right side in countries with left-hand traffic), in addition to the taillight.



WARNING!

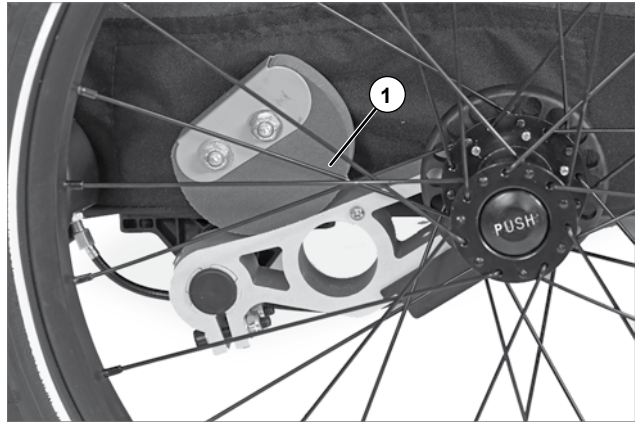
Never use the Bicycle Trailer without lighting at night, dusk or dawn – or whenever visibility is in any way reduced. Other road-users may not be able to see you, which could result in accidents with serious injury or death.

Special features of the Croozer Kid Plus suspension system

For extra comfort, the Croozer Kid Plus is equipped with an Air Pad suspension system with Sylomer® (1). The Air Pad suspension system requires no adjustment when carrying heavier or lighter loads. This means that the suspension is just as effective for a single infant as it is for two heavier children.

The system is maintenance-free and works equally well in cold and warm weather.

Tip: The colour of the Sylomer® Air Pads may change slightly over time if exposed to sunlight. This has no effect whatsoever on the function of the suspension system.



Special considerations when riding with the Bicycle Trailer

Speed

When pulling the Croozer as a Bicycle Trailer, never ride faster than its maximum allowable speed of 15 mph (25 km/h). Always reduce your speed to a walking pace when turning. Keep in mind that riding speed is often underestimated, especially on bikes with electric assist, which require less muscle power.



WARNING!

Riding too fast could cause the Bicycle Trailer to skid or even tip over, resulting in accidents with serious injury or death.

Load capacity

Never transport more than the specified load capacity (passengers + cargo). And never ride with less than 6.6 lbs (3 kg) or more than 17.6 lbs (8 kg) of weight on the hitch arm (nose weight). See section "Transporting cargo" on page 31.



WARNING!

NEVER OVERLOAD THE CROOZER. Doing so can severely affect the Croozer's handling and cause accidents with serious injury or death.

Adult supervision



WARNING!

Never leave a child in the Bicycle Trailer unattended, not even briefly. In your absence, hazardous, unforeseen situations could arise, including accidents with serious injury or death.

Tips for the towing bicycle

- For towing the Croozer, we recommend using a bicycle with multiple gears. The more speeds the bicycle has, the easier it will be to find the appropriate gear, for example, when starting, climbing hills and riding with a headwind.
- The towing bicycle must have two strong, independently operated brakes that are not only in perfect working order but also work effectively in wet weather conditions. This is vitally important, as the brakes must be able to stop the bike with the additional weight of the trailer.
- The towing bicycle must have a sturdy, rear-mount or double kickstand able to hold the bicycle firmly upright to guarantee safety and comfort when loading and unloading children. Single-legged kickstands mounted in the middle of the bicycle, under the bottom bracket, are NOT suitable because the weight of the hitched

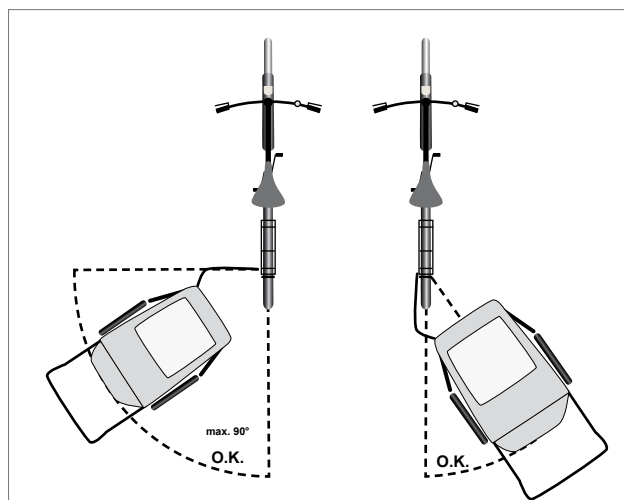
Using your Croozer

bicycle trailer, which rests on the rear axle, would make the parked bicycle unstable. Consult a bicycle shop for assistance in choosing the right kickstand.

- We recommend riding with a rear-view mirror on the towing bicycle. A rear-view mirror makes it easier to check on passengers in the Bicycle Trailer and keep an eye on the vehicles behind you so that you can react appropriately. Always ride defensively.
- The towing bicycle should have a long rear mudguard with a mud flap in order to protect passengers from stones and other road debris that could be thrown up by the rear tyre and to avoid soiling the body or interior of the trailer.

Guidelines and tips for riding with the Bicycle Trailer and children

- When pulling a loaded trailer, the handling, balance and performance of the towing bicycle will be affected, especially when starting, braking, turning and riding downhill. It is vitally important that you familiarise yourself with the Croozer before you use it for transporting children. Prior to your first trip, we recommend taking a practice ride without your child(ren) in a calm, traffic-free area; load the Bicycle Trailer with cargo of approximately the same weight as your child(ren), for example, by strapping a loaded rucksack into the cabin. This is a great way to acquaint yourself with the handling of the bicycle and the dimensions of the trailer.
- The safety flag on the long, vertical pole will make you more visible to other road-users. Never ride without the safety flag properly mounted.
- Always ride with the cover closed to protect passengers from injuries associated with stones and other road debris as well as insects.
- Always use available bike paths or lanes when pulling the Bicycle Trailer. Be especially careful when riding on narrow bike paths or lanes, as well as on paths and trails with two-way traffic. The trailer is generally wider than the handlebars of the towing bicycle. In addition, most trailers will not be centred behind the towing bicycle. Reduce your speed in places where navigation is especially challenging; and if you are ever in doubt about whether the trailer will be able to fit through an opening, dismount and push the bike and trailer through.
- When turning left, never allow the angle between the rear wheel of the towing bicycle and the hitch arm of the trailer to be extended more than 90°. Turning at sharper angles could damage the hitch connector. Be extremely cautious when turning right, as sharp right turns can cause the wheel to hit the hitch arm, potentially damaging the hitch arm and/or the rear wheel of the towing bicycle.
- Reduce your speed when riding on paths or streets with bumps or uneven surfaces to keep the ride as smooth and safe as possible for your passenger(s). Reduce your speed when turning. Otherwise the centrifugal force could cause the trailer to tip over.
- Be cautious, patient and attentive when riding with your child. The first few trips should be short and easy, to give your child time to get used to riding in the trailer.
- Children in the Bicycle Trailer should wear a helmet at all times. In the case of an accident, a helmet provides additional protection. In some countries, the use of helmets is required by law.
- Dress passengers appropriately, and check on them frequently to make sure they are comfortable in the



Croozer, with adequate ventilation. Under the Rain Cover, the passenger compartment can become warm more quickly than otherwise, especially in direct sunlight. However, in colder weather, children sitting inactively in the trailer will feel colder and need more insulation than the person who is pedalling the towing bicycle. In the winter months, be sure to cover passengers with a blanket, or use a Bunting Bag. You will find a list of accessories for your Croozer in the back of this manual.

- Always take along small toys so that your child does not get bored, and when planning longer trips, keep in mind that your child will require frequent breaks. Be attentive to your child at all times, especially when riding over bumpy surfaces. In these situations, ride slowly and cautiously.
- The Baby Supporter available as an accessory from Croozer dealers gives your child additional support in the passenger seat.
- If you are planning a cycling trip with the Bicycle Trailer in another country, be sure to familiarise yourself in advance with the legal requirements that apply in the country or countries you intend to visit. Some countries do not permit the transport of children in bicycle trailers, and others impose certain age restrictions for the child passenger.
- The equipment legally required for bicycle trailers varies from country to country, and sometimes even from state to state. Be sure to observe and comply with the laws that apply in the country or state where you will be using the Croozer.

Special considerations when using the Buggy

Speed and load capacity

The Croozer with the Buggy Kit is intended for use as a pushchair. Pushing the Buggy faster than a walking pace is not permitted. Therefore, it may not be used for skating or jogging.



WARNING!

The Buggy is not approved for jogging or skating. Jogging or skating with the Buggy could result in an accident with serious injury or death.

The Buggy has the same load capacity as the Bicycle Trailer (passengers + cargo). See page 31 for applicable weight limits.



WARNING!

Never carry more than the maximum allowable weight. Overloading the rear cargo compartment or the optional Handlebar Console could cause the Croozer to tip backwards, resulting in serious injuries for your child.



WARNING!

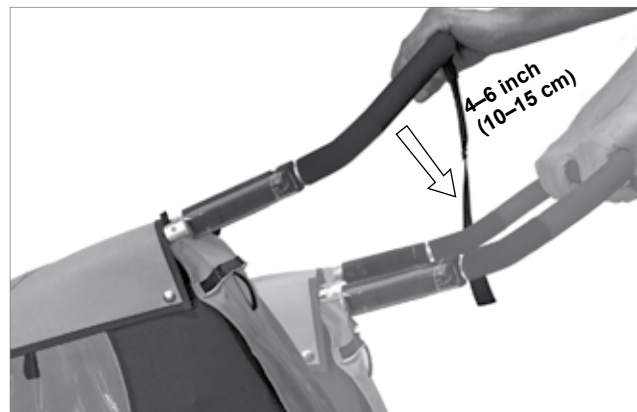
Never use the handlebar for carrying loads, such as children's vehicles or bags (other than the Handlebar Console available as an accessory). Loading the handlebar could cause the Buggy to tip backwards, resulting in serious injuries for your child.

Adult supervision



WARNING!

Never leave a child in the Buggy unattended, not even briefly. In your absence, hazardous, unforeseen situations could arise, including accidents with serious injury or death.



Tip: If you are not sure whether your Croozer is overloaded, you can perform this simple test **WITHOUT PASSENGERS**:

Depress the handlebar of the loaded Buggy by about 4 to 6 inches (10 to 15 cm) to raise the Buggy wheel.

Then carefully release the handlebar. If the Croozer immediately returns to its original standing position, then the Buggy is correctly loaded. If the Croozer does not immediately return to its original standing position, then the Buggy is overloaded and cannot be used.

Using your Croozer

Parking the Buggy

Only park the Buggy on flat surfaces, and always secure it with the parking brake.



WARNING!

Always set the parking brake when releasing the handlebar of the parked/stopped Croozer, and check that the wheels are securely locked by giving the Croozer a gentle push and pull. If the parking brake is not correctly engaged, the Croozer could roll into harm's way, resulting in accidents with serious injury or death.

Use the safety wrist strap

When using the Buggy, it is vitally important that you keep the safety wrist strap around your wrist at all times. Use the rubber ring to adjust the loop size to fit snugly and comfortably around your wrist. Using the safety wrist strap prevents the Buggy from getting away from you.

Guidelines and tips for using the Buggy

- Dress passengers appropriately, and check on them frequently to make sure they are comfortable in the Buggy, with adequate ventilation. Keep in mind that, when the Rain Cover is attached, the passenger compartment can become warm more quickly than otherwise, especially in direct sunlight. However, in colder weather, children sitting inactively in the Croozer will feel colder than the person pushing the Croozer. In the winter months, be sure to cover passengers with a blanket, or use a Bunting Bag. You will find a list of accessories for your Croozer in the back of this manual.
- Never manoeuvre the Croozer over stairs or other obstacles. The jolting motion could injure your child and/or damage the Croozer.
- Always use the safety harness and ensure the straps are correctly adjusted to fit the child snugly and comfortably.

Special considerations when using the Stroller

Speed and load capacity

The Croozer with the Stroller Kit is only intended for use as a fixed-wheel stroller. Pushing the Stroller faster than a walking pace is not permitted. Therefore, it may not be used for skating or jogging. The difference between the Buggy and the Stroller is that the Stroller is easier to push and control over longer distances because of its fixed wheel design. Therefore, it is an ideal stroller for touring on foot and walking as a sport.



WARNING!

The Stroller is not approved for jogging or skating. Jogging or skating with the Stroller could result in accidents with serious injury or death.

The Stroller has the same load capacity as the Bicycle Trailer (passengers + cargo). See page 31 for applicable weight limits.



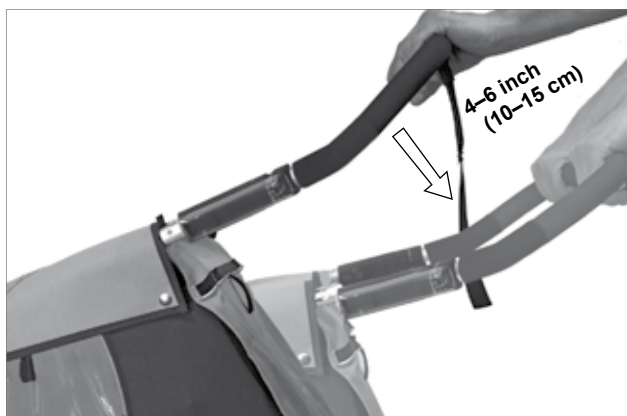
WARNING!

Never carry more than the maximum allowable weight. Overloading the rear cargo compartment or the optional Handlebar Console could cause the Croozer to tip backwards, resulting in serious injuries for your child.



WARNING!

Never use the handlebar for carrying loads, such as



Tip: *If you are not sure whether your Croozer is overloaded, you can perform this simple test WITHOUT PASSENGERS:*

Depress the handlebar of the loaded Croozer by about 4 to 6 inches (10 to 15 cm) to raise the Stroller wheel.

Then carefully release the handlebar. If the Croozer immediately returns to its original standing position, then the Stroller is correctly loaded. If the Croozer does not immediately return to its original standing position, then the Stroller is overloaded and cannot be used.

children's vehicles or bags (other than the Handlebar Console available as an accessory). Loading the handlebar could cause the Stroller to tip backwards, resulting in serious injuries for your child.

Adult supervision



WARNING!

Never leave a child in the Stroller unattended, not even briefly. In your absence, hazardous, unforeseen situations could arise, including accidents with serious injury or death.

Parking the Stroller

Only park the Stroller on flat surfaces, and always secure it with the parking brake.



WARNING!

Always set the parking brake when releasing the handlebar of the parked/stopped Croozer, and check that the wheels are securely locked by giving the Croozer a gentle push and pull. If the parking brake is not correctly engaged, the Croozer could roll into harm's way, resulting in accidents with serious injury or death.

Use the safety wrist strap

When using the Stroller, it is vitally important that you keep the safety wrist strap around your wrist at all times. Use the rubber ring to adjust the loop size to fit snugly and comfortably around your wrist. Using the safety wrist strap prevents the Stroller from getting away from you.



WARNING!

When using the Stroller, it is vitally important that you keep the safety wrist strap fastened securely around your wrist at all times. Otherwise, you could accidentally lose control of the Stroller, causing accidents with serious injury or death.

Tip: When not in use, the safety wrist strap can hang down into the rear cargo compartment.

Guidelines and tips for using the Stroller

- Never allow children to step or sit on the wheel arms, or use the wheel arms for support, e.g. when climbing into or out of the Croozer.
- Dress passengers appropriately, and check on them frequently to make sure they are comfortable in the Stroller, with adequate ventilation. Keep in mind that, when the Rain Cover is attached, the passenger compartment can become warm more quickly than otherwise, especially in direct sunlight. However, in colder weather, children sitting inactively in the Croozer will feel colder than the person pushing the Croozer. In the winter months, be sure to cover passengers with a blanket, or use a Bunting Bag. You will find a list of accessories for your Croozer in the back of this manual.
- Never manoeuvre the Croozer over stairs or other obstacles. The jolting motion could injure your child and/or damage the Croozer.
- Always use the safety harness and ensure the straps are correctly adjusted to fit the child snugly and comfortably.



Transporting your Croozer

Transporting your Croozer

The Croozer can be folded to a compact size for transport.

1. Before folding, make sure the Croozer is completely empty.
2. Remove, as applicable, the hitch arm, safety flag, Buggy wheel and/or Stroller Kit components.
3. Remove the handlebar and safety wrist strap. See page 17.
4. Remove the side wheels. See page 16.
5. Fold the Croozer. See page 11.

NOTICE

When folding the Croozer, never let the plastic side windows get pinched between the frame parts, as this could damage the windows.

6. Place all removed parts inside the Croozer. Use packing material for padding if desired.
7. Close the cover. See page 28.
8. Thread the end of the transport safety strap through the buckle (2) to secure the folded Croozer for transport. The transport safety strap is kept in a special storage pocket (3) at the top of the cover.
9. The Croozer is now ready for transport in a vehicle.

NOTICE

Check that no sharp objects are positioned in such a way that they could damage the fabric body or plastic window during transport. Use padding material.

NOTICE

Never transport the Croozer – even when folded – on the roof of a motor vehicle, as this could damage the fabric body.

Tip: Use caution when placing the folded Croozer into the trunk of a car or laying it on the floor of a room because the exposed metal parts beneath the Croozer could damage the surface it is placed on.

10. For air travel etc., we recommend packing the folded Croozer in its original box. To do so, the front bumper must be removed. Use padding material so that the Croozer cannot move around inside the box.



Croozer Inspections and Maintenance

To ensure that your Croozer will have a safe, long and problem-free service life, inspections and maintenance must be performed at regular intervals. The Croozer must be periodically inspected for damage and/or wear to the wheels, frame, fabric body, hitch arm, hitch connector, safety harnesses, Click & Crooz fastening systems, security pins and components of the Stroller and Buggy Kits. If any parts are found to be damaged, the Croozer may not be used until the damage has been properly repaired.



WARNING!

Never use the Croozer if it is not in perfect working order. Damaged parts could cause accidents with serious injury or death. Therefore, be sure to have your Croozer serviced regularly – at least once a year – by a professional bicycle mechanic.



WARNING!

It is vitally important that the maintenance work described in this section be performed to professional standards and at the specified intervals.

Inspection intervals

Check the overall condition of the Croozer periodically to identify any parts in need of repair or replacement. Some parts should be checked before each use, and others only monthly. Generally, a visual inspection is sufficient. Is everything where it belongs, are there any tears in the fabric body, are any of the metal parts cracked or bent, are the safety harnesses intact, are the tyres in good condition and properly inflated, are the accessories (if applicable) intact and in perfect working order, and are the fastening systems intact? A complete checklist for inspection is provided in the table on the right.

Service intervals

Be sure to have your Croozer serviced regularly – at least once a year – by a professional bicycle mechanic. The required frequency of maintenance will depend on various factors, such as weather conditions, road conditions, loading etc. If the Croozer is not being used very often, then an annual service by a professional bicycle mechanic is sufficient. If the Croozer is used on a daily basis, even in the winter, then we recommend having it professionally serviced more often, as the parts can wear significantly faster. Using a bike with electric assist to pull the Bicycle Trailer will also subject the Croozer's parts to much greater wear, meaning that shorter service intervals will be necessary.

Before Each Use	What should be done?
Visual Inspection by User	
Overall condition	Check for damaged parts
Fabric body	Check for tears etc.
Safety harnesses	Check for damage, proper adjustment and function
Locking mechanisms and fastening systems	Check for proper function and whether properly locked/engaged
Hitch arm, hitch connector, wheel arms, Buggy wheel	Check for damage and proper installation
Attachment of side wheels	Check that the axles are locked securely in the axle receivers
Hitch connector and hitch-arm safety strap	Check for correct attachment
Lighting system (optional with Croozer Kid)	Check for proper function
Tyres	Check tyre pressure Check for damage or cracks
Quick-release axles with retaining balls and push-button pins (side wheels)	Check for proper function
Cargo weight and hitch-arm load (nose weight)	Ensure that all values are within specified limits
Safety flag on Bicycle Trailer	Check that flag is installed
Towing bicycle	Check that towing bicycle is in perfect working order
Parking brake	Check for proper function on both sides

Monthly	What should be done?
Tyres	Check tyre pressure Check for damage or cracks, and check tread depth
Side wheel axles	Clean and lubricate retaining balls and push-button pins

Yearly*	What should be done?
Full maintenance check	Croozer must be serviced by a professional bicycle mechanic
* depending on type and frequency of use	

Inspecting the hitch arm, hitch connector, Stroller-Kit components and Buggy wheel

Inspect the hitch arm, hitch connector, Stroller-Kit components, Buggy wheel and their respective attachment parts regularly for damage. If a part is cracked, dented, bent or damaged in any way, the Croozer may not be used with the respective part until it has been replaced or repaired. Have all damaged parts repaired or replaced immediately by a professional bicycle mechanic. Check that the axle hitch is properly installed.

Inspect the fabric body

Check the fabric body and the cover regularly for damage. Small tears or holes can be repaired. In the case of irreparable damage, the fabric body must be replaced.



WARNING!

Your child may be able to reach the wheel spokes through tears or holes in the fabric, which could result in serious injuries. If you notice any tears or holes in the fabric, do not use the Croozer until all damage has been properly repaired or the body has been replaced.

Inspecting and servicing the wheels

The wheels should be checked for trueness on a regular basis and retued as necessary. An annual wheel inspection by a professional bicycle mechanic is usually sufficient.

Checking tyre pressure and treads

Check the tyre pressure before each use. The actual tyre pressure should never be higher or lower than the maximum and minimum inflation pressures (1) marked on the tyre sidewall. Riding with under-inflated tyres can damage the tyres and rims. Over-inflation can cause the inner tube or tyre to explode. The inner tubes have Schrader valves, also known as car valves. You will need a pump with the appropriate nozzle. Never use compressed air, e.g. from a petrol station, to fill your tyres. The quick flow and high pressure can overinflate the tyres, causing the tube and/or tyre to burst.

Inspect the tyres periodically for adequate tread depth and any signs of damage or excessive wear. Worn-out or damaged tyres can affect handling and even burst, which could result in accidents with serious injury or death.



Cleaning and lubricating the wheel axles

The side wheels of the Croozer are equipped with a special mechanism for easy attachment and removal. The retaining balls (1) and push-button pins (2) of the axles must be cleaned and lubricated on a regular basis.



WARNING!

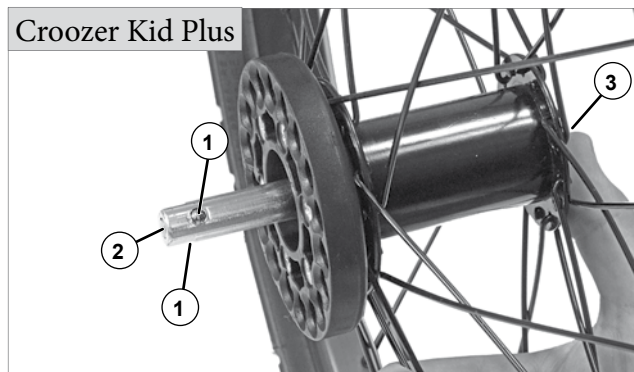
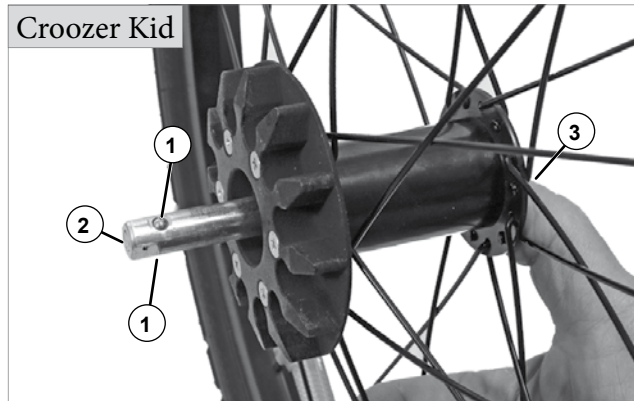
The retaining balls (1) and push-button pins (2) of the axles must be cleaned and lubricated on a regular basis. Otherwise, the wheel could fall off while riding, resulting in accidents with serious injury or death.

1. Wipe off the axle with a clean cloth to remove dirt and grime.
2. If any dirt or grime remains around the push-button pin (2) or retaining balls (1), then clean them with a small brush.
3. Lubricate these parts, and press the push-button (3) several times to distribute the lubricant evenly. The push-button pin and retaining balls must be able to move freely.
4. Use a clean cloth to wipe off any excess lubricant.

Tip: *The axle can be lubricated using a bicycle-chain lubricant.*

Inspecting the Croozer after an accident

If the Croozer has been involved in an accident, it must be inspected by a professional bicycle mechanic before it can be used again, even if there is no visible damage. Accidents can leave behind tiny, and often invisible, hairline cracks in critical components whose failure would adversely affect the safety of the vehicle.



Cleaning, Maintaining and Storing the Croozer

How do I clean and maintain my Croozer?

Fabric body

Clean the fabric body and seat with water, a soap solution or a mild household detergent. Use biodegradable cleaning agents whenever possible to minimise environmental impact. A soft brush can be used to clean areas of heavy soiling.

Never use solvents, such as mineral spirits, or other aggressive chemicals, as these can damage the fabric, seat and plastic windows. Never use pressure washers. The strong water pressure could damage the fabric and plastic windows.

Frame and other metal parts

Clean all metal parts with water, a soap solution or a mild household detergent. Use biodegradable cleaning agents whenever possible to minimise environmental impact. A soft brush can be used to clean areas of heavy soiling.

Never use solvents, such as mineral spirits, or other aggressive chemicals, as these can corrode metal parts. Never use pressure washers. The strong water pressure can force water into the wheel bearings, shortening their service life.

To protect metal parts from corrosion, a thin coat of paste wax should be applied. Preserving metal parts with paste wax is especially important if you plan to use the Croozer often in wet weather, in salty air near the sea or in the winter.

How do I store my Croozer?

General information

Store your Croozer, if possible, in a dry, warm and well-ventilated area. The minimum storage temperature is -4°F (-20°C); lower temperatures could cause the fabric body, and particularly the plastic windows, to become brittle.

If you cannot store your Croozer indoors, then use a waterproof cover to protect it from the elements. For this purpose, we recommend the Croozer Storage Cover, which is available as an accessory.

Avoid long-term exposure to direct sunlight, which will fade the fabric over time.

If possible, avoid using the Croozer in salty air, e.g. near the sea, or during winter months on salted roads, as the salt can corrode metal parts. To protect metal parts from corrosion, apply a thin coating of paste wax to all metal surfaces.

Long-term storage

If you will not be using your Croozer for an extended period of time, for example over the winter months, then prepare the vehicle for storage as follows:

1. Clean the Croozer thoroughly as described above.
2. Allow the Croozer to dry completely, and apply paste wax to protect metal parts from corrosion.
3. Store the Croozer in a dry, dust-free and well-ventilated room. Cover the Croozer with a sheet, tarp/tarpaulin or the Croozer Storage Cover, which is available as an accessory.

NOTICE

To prevent mildew and mould growth, the Croozer must be completely dry and clean before being put into storage.

Tip: *To save space, the Croozer can be stored in its folded state.*

4. Inner tubes will slowly lose pressure over time. Storing the Croozer on flat tyres for an extended period of time could damage the tyres. Therefore, if you plan to store the Croozer for several weeks or months, it should be either propped up with its wheels off the ground or hung from the wall or ceiling. Otherwise, check the tyre pressure periodically, and keep the tyres inflated.
5. Before using your Croozer after a long period of storage – for example, if you have stored it over the winter – check that it is in perfect working order, and have it serviced by a professional bicycle mechanic.

Preparing the Croozer for disposal

The Croozer is extremely durable and robust. However, if the vehicle must be disposed of, e.g., owing to severe damage etc., then contact your Croozer dealer, who can help you dispose of the Croozer, or individual parts, in an environmentally sound manner. Furthermore, be sure to dispose of any worn parts, such as tyres, in an environmentally sound manner. When in doubt, consult a Croozer dealer.

Tip: *The fabric of the Croozer body is not, in itself, an ideal medium for the growth of mould and mildew. Moulds feed off organic matter in the fabric, e.g. food residues, dirt etc., and grow best in warm, damp and humid conditions. Therefore, it is very important that you follow these storage guidelines to prevent mould growth.*

However, if you do happen to find mould or mildew on your Croozer, it can be cleaned in mild cases, using a mild alcohol-based cleaning agent, 5% household vinegar or a 5% sodium bicarbonate solution from the pharmacy. NEVER USE HARSH CHEMICAL FUNGICIDES. Most of these chemicals are highly toxic and very dangerous to your child's health. For severe cases of mould or mildew, the fabric body must be replaced. Contact your Croozer dealer.

Technical Data

Dimensions of Open Chassis without Hitch Arm (L x W x H)	
Croozor Kid for 1	42 ⁷ / ₈ x 29 ³ / ₈ x 32 ¹ / ₂ inch (109 x 74.5 x 85 cm)
Croozor Kid for 2	43 ³ / ₄ x 35 x 32 ¹ / ₂ inch (111 x 89 x 85 cm)
Croozor Kid Plus for 1	42 ¹ / ₂ x 29 ⁷ / ₈ x 35 inch (108 x 76 x 89 cm)
Croozor Kid Plus for 2	42 ¹ / ₂ x 35 ³ / ₈ x 34 ⁵ / ₈ inch (108 x 90 x 88 cm)
Dimensions of Folded Chasis without Wheels (L x W x H)	
Croozor Kid for 1	41 ¹ / ₈ x 28 ³ / ₄ x 10 ⁷ / ₈ inch (104.5 x 73 x 27.5 cm)
Croozor Kid for 2	41 ¹ / ₈ x 34 x 10 ⁷ / ₈ inch (104.5 x 86.5 x 27.5 cm)
Croozor Kid Plus for 1	41 ¹ / ₈ x 28 ³ / ₄ x 10 ⁵ / ₈ inch (104.5 x 73 x 27 cm)
Croozor Kid Plus for 2	41 ¹ / ₈ x 33 ³ / ₈ x 10 ⁵ / ₈ inch (104.5 x 86 x 27 cm)
Maximum shoulder width	
Croozor Kid/Kid Plus for 1	21 ⁵ / ₈ inch (55 cm)
Croozor Kid/Kid Plus for 2	26 ³ / ₄ inch (68 cm)
Headroom	
Croozor Kid/Kid Plus for 1	24 ³ / ₄ inch (63 cm)
Croozor Kid/Kid Plus for 2	24 ³ / ₄ inch (63 cm)
Leg length/legroom	
Croozor Kid/Kid Plus for 1	23 ⁵ / ₈ inch (60 cm)
Croozor Kid/Kid Plus for 2	23 ⁵ / ₈ inch (60 cm)
Weight of Empty Chassis with Wheels and Handlebar	
Croozor Kid for 1	31.3 lbs (14.2 kg)
Croozor Kid for 2	39.7 lbs (18 kg)
Croozor Kid Plus for 1	35 lbs (15.9 kg)
Croozor Kid Plus for 2	38.4 lbs (17.4 kg)
Maximum Load* (Passengers + Cargo)	
Croozor Kid/Kid Plus for 1	77 lbs (35 kg), max. 1 child
Croozor Kid/Kid Plus for 2	100 lbs (45 kg), max. 2 children
Of which in rear cargo compartment	max. 11 lbs (5 kg)
Of which in Handlebar Console (accessory)	max. 4.4 lbs (2 kg)
Maximum Height of Passengers	
	46 inch (117 cm)
Minimum Age of Passengers	
Without Infant Sling	6 months (if child can sit upright unassisted)
With Infant Sling (accessory)	1 month
Maximum Age of Passengers	
Without Infant Sling	6 years
With Infant Sling (accessory)	10 months
Croozor Kid Plus Suspension	
	Maintenance-free, progressive, load-independent (no adjustment required for various loads) Air Pad suspension with Sylomer®, 45 mm of travel and shock-absorbing properties
Minimum Temperature for Use/Storage	
	- 4°F (- 20°C)
Wheel/Tyre Size	
	20", 47- 406 (20 x 1.75 inch)
Recommended Tyre Pressure	
	Minimum and maximum values marked on tyre sidewall
Wheel/Tyre Size, Stroller Wheel	
	16", 47- 305 (16 x 1.75 inch)
Valves	
	Schrader (car valve)
Wheel Size, Buggy Wheel	
	6"

* Weight limits only apply if the hitch-arm load is within the specified range of 6.6 to 17.6 lbs (3–8 kg).
See page 31.

Accessories

Further accessories are available for even more comfortable Croozing. Accessories can be purchased from your Croozer dealer or from the Croozer online shop: www.croozer.com.

Sun Cover

A practical sunshade for your child in the colour of the Croozer



Storage Cover

Protects Croozer from dust, dirt, rain and snow, water-proof



Infant Sling

For babies aged 1 to 10 months.



Baby Winter Bunting Bag

For babies in the Infant Sling, Air-Tech shell, cotton-fleece liner



Toddler Winter Bunting Bag

For small children, stone grey Air-Tech shell, cotton-fleece liner



Baby Supporter

For small children aged approx. 10 to 24 months, height adjustable, 2-piece



Foot Mat

One size fits all



Click & Crooz Universal Hitch

For an additional towing bicycle



Rain Cover

For one-seater or two-seater



Click & Crooz Axle Nut Hitch



Click & Crooz Thru Axle Hitch

In various lengths and thread sizes



Handlebar Lighting System

For Croozer Kid



Quick-release Axle with Integrated Click & Crooz Hitch



Ski Adapter Set

For cross-country skiing or snowshoeing



Warranty

In addition to the statutory warranty under the contract of sale, Zwei plus zwei GmbH, Cologne, extends to the end customer the following manufacturer's warranty for its bicycle trailers "Croozer Kid" and "Croozer Kid Plus" subject to the conditions set forth below.

The manufacturer's warranty applies to the safety frame of our bicycle trailers "Croozer Kid" and "Croozer Kid Plus". The safety frame is shown in grey in the illustration on the right. The warranty period is 10 years from the date of purchase of the respective bicycle trailer by the original purchaser.

Warranty claims must be accompanied by the original sales receipt with the date of purchase, as well as the bicycle trailer.

Zwei plus zwei GmbH will, at its election, pursuant to its obligations under this warranty, repair or replace the safety frame of the bicycle trailer, refund the purchase price or replace the entire vehicle.

For the purposes of this manufacturer's warranty, you are considered the original purchaser if you are the "natural person" who first purchased the bicycle trailer. Persons who purchased the bicycle trailer in order to resell it or use it in the context of any commercial or self-employed professional activity are not considered the original purchaser in the sense of this warranty.

In addition to the rights set out in this manufacturer's warranty, the original purchaser also has statutory rights, in particular warranty rights. These statutory rights, which in some cases may be more favourable to the purchaser, are not affected by this warranty. This warranty does not affect the rights of the original purchaser against the seller from whom the product was purchased.



Servicing and warranty claims

If any part of the Croozer is not working properly, if the vehicle requires servicing or to make a warranty claim, contact the dealer from whom you purchased your Croozer. The dealer will either help you directly or forward your claim to us. In order to process your claim, we – and/or your dealer – will need the original sales receipt, the serial number of your Croozer and, in the case of a warranty claim, the bicycle trailer.

The serial number can be found on the sticker that is affixed to the bottom of the black frame on the left side of the cargo compartment.

Dealers

A list of authorised dealers in your area can be found on the Croozer website: www.croozer.com.



CONTACT

Zwei plus zwei GmbH
Oskar-Jäger-Straße 125
D-50825 Cologne
Germany
info@croozer.com
www.croozer.com

The logo for CROOZER, featuring the word "CROOZER" in a bold, italicized, sans-serif font. The letters are black with a white outline, and the entire word is set within a thick, black, rounded rectangular border.

www.croozer.com